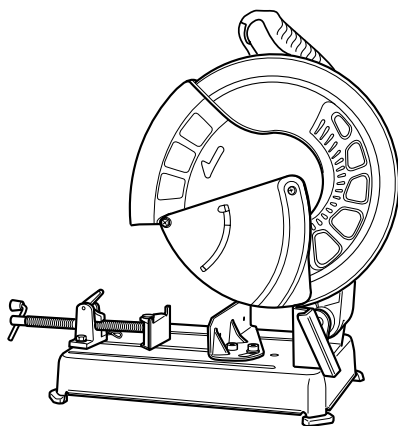


HITACHI

**Cut-Off Machine
Trennschleifer
Φαλτσοκοπτήζ
Przecinarka
Fémдарaboló
Odřezávač
Profil kesme
Отрезная машина**

CC 14SF

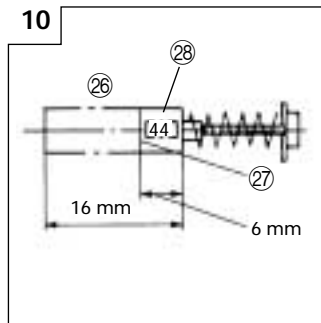
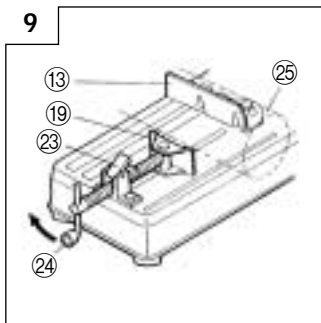
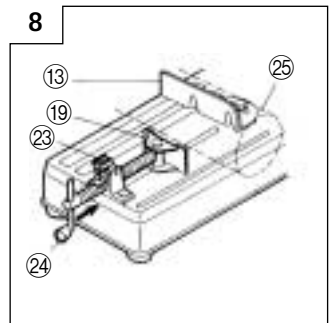
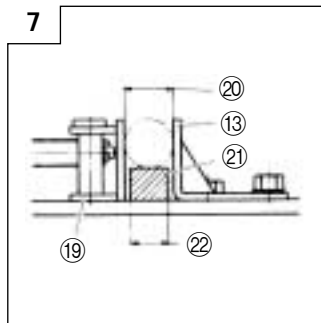
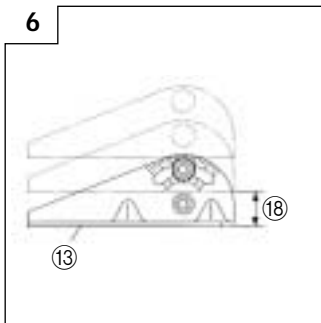
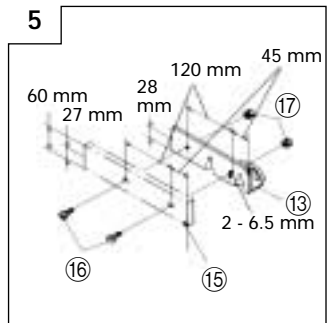
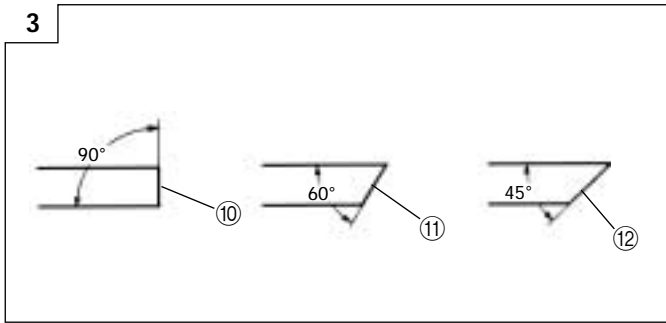
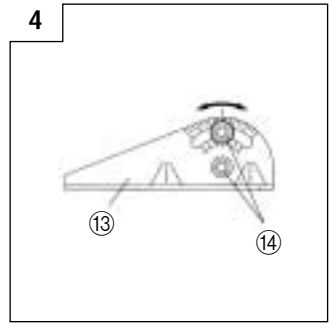
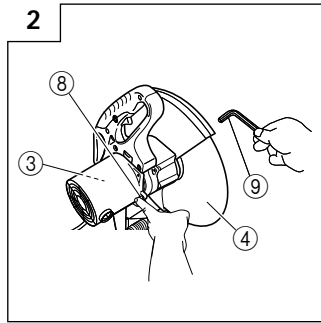
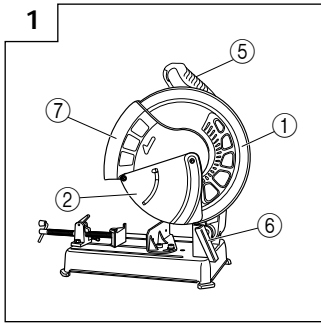


Read through carefully and understand these instructions before use.
Diese Anleitung vor Benutzung des Werkzeugs sorgfältig durchlesen und verstehen.
Διαβάστε προσεκτικά και κατανοήστε αυτές τις οδηγίες πριν τη χρήση.
Przed użytkowaniem należy dokładnie przeczytać niniejszą instrukcję i zrozumieć jej treść.
Használat előtt olvassa el figyelmesen a használati utasítást.
Před použitím si pečlivě přečtěte tento návod a ujistěte se, že mu dobře rozumíte.
Aleti kullanmadan önce bu kılavuzu iyice okuyun ve talimatları anlayın.
Внимательно прочтите данную инструкцию по эксплуатации прежде чем пользоваться инструментом.









**Handling instructions
Bedienungsanleitung
Οδηγίες χειρισμού
Instrukcja obsługi
Kezelési utasítás
Návod k obsluze
Kullanım talimatları
Инструкция по эксплуатации**

Hitachi Koki



	English	Deutsch	Ελληνικά	Polski
①	Wheel cover	Radabdeckung	Κάλυμμα τροχού	Osłona tarczy
②	Sub-cover (B)	Unterabdeckung (B)	Κάτω-κάλυμμα (B)	Osłona dolna (B)
③	Motor	Motor	Μοτέρ	Silnik
④	Cut-off wheel	Abschneiderad	Τροχός κοπής	Tarcza tnąca
⑤	Handle	Griff	Λαβή	Uchwyt
⑥	Spark chute	Funkenschiene	Ροή σπινθήρων	Chwytnacz iskier
⑦	Sub-cover (A)	Unterabdeckung (A)	Κάτω-κάλυμμα (A)	Osłona dolna (A)
⑧	Stopper	Stopper	Στόπερ	Blokada
⑨	Hex. bar wrench	Seckskantschlüssel	Εξάγωνο κλειδί Άλεν	Klucz sześciokątny
⑩	When setting at an angle of 0°	Beim Einstellen auf einen Winkel von 0°	Όταν γίνεται ρύθμιση σε γωνία 0°	Przy ustawieniu pod kątem 0°
⑪	When setting at an angle of 30°	Beim Einstellen auf einen Winkel von 30°	Όταν γίνεται ρύθμιση σε γωνία 30°	Przy ustawieniu pod kątem 30°
⑫	When setting at an angle of 45°	Beim Einstellen auf einen Winkel von 45°	Όταν γίνεται ρύθμιση σε γωνία 45°	Przy ustawieniu pod kątem 45°
⑬	Vise (B)	Schraubstock (B)	Μέγγενη (B)	Imadło (B)
⑭	10 mm bolts	10 mm Bolzenschrauben	10 mm μπουλόνια	Śruby 10 mm
⑮	Steel board (More than thickness 6 mm)	Stahlplatte (über 6 mm dick)	Ατσάλινη επιφάνεια (Πάχος περισσότερο από 6 mm)	Płyta stalowa (O grubości powyżej 6 mm)
⑯	Flat hd. screw of more than 6 mm × 15	Flachkopfschrauben von über 6 mm × 15	Βίδα επίπεδης κεφαλής διαστάσεων περισσότερο από 6 mm × 15	Śruba płaska powyżej 6 mm × 15 mm
⑰	6 mm nuts	6 mm Muttern	6 mm μπουλόνια	Nakrętki 6 mm
⑱	The vise-jaws open to 170 mm while the vise can be set in two steps 205 mm and 240 mm.	Die Backen des Schraubstocks öffnen sich um bis zu 170 mm. Der Schraubstock selbst kann in zwei Stufen eingestellt werden: 205 mm und 240 mm.	Τα σαγόνια της μέγγενης ανοίγουν στα 170 mm ενώ η μέγγενη μπορεί να ρυθμιστεί σε δυο βαθμίδες 205 mm και 240 mm.	Rozwarcie szczęk imadła do 170 mm, podczas gdy imadło może być ustawione w dwóch położeniach: 205 mm i 240 mm.
⑲	Vise (A)	Schraubstock (A)	Μέγγενη (A)	Imadło (A)
⑳	Dimension of workpiece to be cut	Abmessungen des Werkstücks, das gerade beschnitten wird.	Διαστάσεις του κομματιού εργασίας που πρόκειται να κοπεί.	Wymiary ciętego przedmiotu
㉑	Metallic block	Metallblock	Μεταλλικό τεμάχιο	Metalowy klocek
㉒	Dimension of Metallic block	Abmessungen des Metallblocks	Διαστάσεις Μεταλλικού τεμαχίου	Wymiary metalowego klocka
㉓	Clutch	Kupplung	Συμπλέκτης	Sprzęgło
㉔	Screw handle	Schraubgriff	Λαβή βίδας	Uchwyt ze śrubą
㉕	Workpiece material	Werkstückmaterial	Υλικό κομματιού εργασίας	Obrabiany materiał
㉖	Carbon Brush	Kohlebürsten	Καρβουνάκι	Szczotka węglowa
㉗	Wear limit	Verschleißgrenze	Όριο φθοράς	Granica zużycia
㉘	No. of carbon brush	Nr. der Kohlebürste	Αρ. καρβουνακιού	Nr szczotki węglowej

	Magyar	Čeština	Türkçe	Русский
①	Korongfedél	Kryt kotouče	Disk kapağı	Крышка диска
②	Alsó fedél (B)	Spodní kryt (B)	Alt kapak (B)	Вспомогательная крышка (B)
③	Motor	Motor	Motor	Двигатель
④	Darabolókorong	Odřezávací kotouč	Profil Kesme diski	Отрезной диск
⑤	Fogantyú	Rukojeť	Kol	Рукоятка
⑥	Szikracsúszda	Jiskrový žlábek	Kivülcim oluğu	Искровой желоб
⑦	Alsó fedél (A)	Spodní kryt (A)	Alt kapak (A)	Вспомогательная крышка (A)
⑧	Megállító	Zarážka	Durdurucu	Стопор
⑨	Imbuszkulcs	Klíč na vnitřní šestihrany	Altigen çubuk lokma anahtarı	Гаечный ключ в виде шестигранного стержня
⑩	0° szögre beállítás esetén	Při nastavení na úhel 0°	0°'lik bir açıda kesim için kurulmak istendiğinde	При установке под углом в 0°
⑪	30° szögre beállítás esetén	Při nastavení na úhel 30°	30°'lik bir açıda kesim için kurulmak istendiğinde	При установке под углом в 30°
⑫	45° szögre beállítás esetén	Při nastavení na úhel 45°	45°'lik bir açıda kesim için kurulmak istendiğinde	При установке под углом в 45°
⑬	Satu (B)	Svěrák (B)	Mengene (B)	Зажимное приспособление (B)
⑭	10 mm-es csavarok	Šrouby 10 mm	10 mm civatalar	10 мм болты
⑮	Acéttábla (Több, mint 6 mm-es vastagságú)	Ocelová deska (tloušťka větší než 6 mm)	Çelik levha (6 mm kalınlıktan büyük)	Стальная плита (Толщина более 6 мм)
⑯	Több, mint 6 mm × 15 mm súlyszettelt fejű csavar	Šroub s plochou hlavou větší než 6 mm × 15 mm	6 mm × 15 mm'den büyük yassı başlı vida	Плоски закаленный винт более чем 6 мм × 15 мм
⑰	6 mm-es anyák	Matice 6 mm	6 mm somunlar	6 мм гайки
⑱	A satupofák 170 mm-re nyílnak ki, míg a satu két lépésben 205 mm-re és 240 mm-re állítható be.	Čelisti svěráku se otvírají do 170 mm a svěrák lze nastavit ve dvou krocích 205 mm a 240 mm.	Mengenenin ağzı 170 mm'ye kadar açılabilir fakat mengene 205 mm ve 240 mm olarak iki kademe ayarlanabilir.	Захваты зажимного приспособления открыты на 170 мм в то время как зажимное приспособление может быть установлено в два шага 205 мм и 240 мм.
⑲	Satu (A)	Svěrák (A)	Mengene (A)	Зажимное приспособление (A)
⑳	Vágandó munkadarab mérete	Rozměr řezaného materiálu	Üzerinde çalışılacak malzemenin boyutları	Размер заготовки для отрезания
㉑	Fém tömb	Kovový blok	Metal blok	Металлический блок
㉒	Fém tömb mérete	Rozměry kovového bloku	Metal bloğun boyutları	Размер металлического блока
㉓	Retes	Spojka	Kavrama kolu	Муфта
㉔	Csavaros fogantyú	Šroubovací rukojeť	Vidalı kol	Рукоятка винта
㉕	Munkadarab anyaga	Řezaný materiál	Üzerinde çalışılacak malzeme	Материал рабочей заготовки
㉖	Szénkefe	Uhlíkový kartáček	Kömür	Угольная щетка
㉗	Kopási határ	Mez opotřebení	Aşınma sınırı	Предел износа
㉘	Szénkefék száma	Č. uhlíkového kartáčku	Kömür fırça adeti	№ угольной щетки

	Symbols The following show symbols used for the machine. Be sure that you understand their meaning before use.	Symbole Die folgenden Symbole werden für diese Maschine verwendet. Achten Sie darauf, diese vor der Verwendung zu verstehen.	Σύμβολα Τα παρακάτω δείχνουν τα σύμβολα που χρησιμοποιούνται στο μηχάνημα. Βεβαιωθείτε ότι κατανοείτε τη σημασία τους πριν τη χρήση.	Symbole Następujące oznaczenia to symbole używane w instrukcji obsługi maszyny. Upewnij się, że rozumiesz ich znaczenie zanim użyjesz narzędzia.
	Read instruction manual.	Bedienungsanleitung lesen.	Διαβάστε το εγχειρίδιο οδηγιών.	Przeczytaj instrukcje.
	Wear safety glasses.	Eine Schutzbrille tragen.	Φοράτε γυαλιά ασφαλείας.	Założ okulary ochronne.
	<p>Only for EU countries Do not dispose of electric tools together with household waste material! In observance of European Directive 2002/96/EC on waste electrical and electronic equipment and its implementation in accordance with national law, electric tools that have reached the end of their life must be collected separately and returned to an environmentally compatible recycling facility.</p>	<p>Nur für EU-Länder Werfen Sie Elektrowerkzeuge nicht in den Hausmüll! Gemäss Europäischer Richtlinie 2002/96/EG über Elektro- und Elektronik-Altgeräte und Umsetzung in nationales Recht müssen verbrauchte Elektrowerkzeuge getrennt gesammelt und einer umweltgerechten Wiederverwertung zugeführt werden.</p>	<p>Μόνο για τις χώρες της ΕΕ Μην πετάτε τα ηλεκτρικά εργαλεία στον κάδο οικιακών απορριμμάτων! Σύμφωνα με την ευρωπαϊκή οδηγία 2002/96/ΕΚ περί ηλεκτρικών και ηλεκτρονικών συσκευών και την ενσωμάτωσή της στο εθνικό δίκαιο, τα ηλεκτρικά εργαλεία πρέπει να συλλέγονται ξεχωριστά και να επιστρέφονται για ανακύκλωση με τρόπο φιλικό προς το περιβάλλον.</p>	<p>Dotyczy tylko państw UE Nie wyrzucaj elektronarzędzi wraz z odpadami z gospodarstwa domowego! Zgodnie z Europejską Dyrektywą 2002/96/WE w sprawie zużytego sprzętu elektrotechnicznego i elektronicznego oraz dostosowaniem jej do prawa krajowego, zużyte elektronarzędzia należy segregować i zutylizować w sposób przyjazny dla środowiska.</p>
	Jelölések Az alábbiakban a géphez alkalmazott jelölések vannak felsorolva. A géphasználat előtt feltétlenül ismerje meg ezeket a jelöléseket.	Symbole Následující text obsahuje symboly, které jsou použity na zařízení. Ujistěte se, že rozumíte jejich obsahu před tím, než začnete zařízení používat.	Simgeler Aşağıda, bu alet için kullanılan simgeler gösterilmiştir. Aleti kullanmadan önce bu simgelerin ne anlama geldiğini anladığınızdan emin olun.	Символы Ниже приведены символы, используемые для машины. Перед началом работы обязательно убедитесь в том, что Вы понимаете их значение.
	Olvasa el a Használati utasítást.	Přečtete si návod.	Kullanım kılavuzunu okuyun.	Прочтите руководство по эксплуатации.
	Viseljen védőszemüveget.	Používejte ochranné brýle.	Koruyucu gözlük kullanın.	Наденьте защитные очки.
	<p>Csak EU-országok számára Az elektromos kéziszerszámokat ne dobja a háztartási szeméttbe! A használt villamos és elektronikai készülékekről szóló 2002/96/EK irányelv és annak a nemzeti jogba való átültetése szerint az elhasznált elektromos kéziszerszámokat külön kell gyűjteni, és környezetbarát módon újra kell hasznosítani.</p>	<p>Jen pro státy EU Elektrické nářadí nevyhazujte do komunálního odpadu! Podle evropské směrnice 2002/96/EG o nakládání s použitými elektrickými a elektronickými zařízeními a odpovídajících ustanovení právních předpisů jednotlivých zemí se použitá elektrická nářadí musí sbírat odděleně od ostatního odpadu a podrobit ekologicky šetrnému recyklování.</p>	<p>Sadece AB ülkeleri için Elektrikli el aletlerini evdeki çöp kutusuna atmayınız! Kullanılmış elektrikli aletleri, elektrik ve elektronik eski cihazlar hakkındaki 2002/96/EC Avrupa yönetelerine göre ve bu yöneteler ulusal hukuk kurallarına göre uyarlanarak, ayrı olarak toplanmalı ve çevre şartlarına uygun bir şekilde tekrar değerlendirilmeye gönderilmelidir.</p>	<p>Только для стран ЕС Не выкидывайте электроприборы вместе с обычным мусором! В соответствии с европейской директивой 2002/96/EG об утилизации старых электрических и электронных приборов и в соответствии с местными законами электроприборы, бывшие в эксплуатации, должны утилизироваться отдельно безопасным для окружающей среды способом.</p>

GENERAL OPERATIONAL PRECAUTIONS

WARNING! When using electric tools, basic safety precautions should always be followed to reduce the risk of fire, electric shock and personal injury, including the following.

Read all these instructions before operating this product and save these instructions.

For safe operations:

1. Keep work area clean. Cluttered areas and benches invite injuries.
2. Consider work area environment. Do not expose power tools to rain. Do not use power tools in damp or wet locations. Keep work area well lit. Do not use power tools where there is risk to cause fire or explosion.
3. Guard against electric shock. Avoid body contact with earthed or grounded surfaces (e.g. pipes, radiators, ranges, refrigerators).
4. Keep children and infirm persons away. Do not let visitors touch the tool or extension cord. All visitors should be kept away from work area.
5. Store idle tools. When not in use, tools should be stored in a dry, high or locked up place, out of reach of children and infirm persons.
6. Do not force the tool. It will do the job better and safer at the rate for which it was intended.
7. Use the right tool. Do not force small tools or attachments to do the job of a heavy duty tool. Do not use tools for purposes not intended; for example, do not use circular saw to cut tree limbs or logs.
8. Dress properly. Do not wear loose clothing or jewelry, they can be caught in moving parts. Rubber gloves and non-skid footwear are recommended when working outdoors. Wear protecting hair covering to contain long hair.
9. Use eye protection. Also use face or dust mask if the cutting operation is dusty.
10. Connect dust extraction equipment.
If devices are provided for the connection of dust extraction and collection facilities ensure these are connected and properly used.
11. Do not abuse the cord. Never carry the tool by the cord or yank it to disconnect it from the receptacle. Keep the cord away from heat, oil and sharp edges.
12. Secure work. Use clamps or a vise to hold the work. It is safer than using your hand and it frees both hands to operate tool.
13. Do not overreach. Keep proper footing and balance at all times.
14. Maintain tools with care. Keep cutting tools sharp and clean for better and safer performance. Follow instructions for lubrication and changing accessories. Inspect tool cords periodically and if damaged, have it repaired by authorized service center. Inspect extension cords periodically and replace, if damaged. Keep handles dry, clean, and free from oil and grease.
15. Disconnect tools. When not in use, before servicing, and when changing accessories such as blades, bits and cutters.

16. Remove adjusting keys and wrenches. Form the habit of checking to see that keys and adjusting wrenches are removed from the tool before turning it on.
17. Avoid unintentional starting. Do not carry a plugged-in tool with a finger on the switch. Ensure switch is off when plugging in.
18. Use outdoor extension leads. When tool is used outdoors, use only extension cords intended for outdoor use.
19. Stay alert. Watch what you are doing. Use common sense. Do not operate tool when you are tired.
20. Check damaged parts. Before further use of the tool, a guard or other part that is damaged should be carefully checked to determine that it will operate properly and perform its intended function. Check for alignment of moving parts, free running of moving parts, breakage of parts, mounting and any other conditions that may affect its operation. A guard or other part that is damaged should be properly repaired or replaced by an authorized service center unless otherwise indicated in this handling instructions. Have defective switches replaced by an authorized service center. Do not use the tool if the switch does not turn it on and off.
21. Warning
The use of any accessory or attachment, other than those recommended in this handling instructions, may present a risk of personal injury.
22. Have your tool repaired by a qualified person. This electric tool is in accordance with the relevant safety requirements. Repairs should only be carried out by qualified persons using original spare parts. Otherwise this may result in considerable danger to the user.

PRECAUTIONS ON USING CUT-OFF MACHINE

1. Inspect the cutting wheel before use, do not use chipped or otherwise defect cutting wheels. Always make a trial run before use to confirm that the Cut-off Machine does not involve abnormalities.
2. Use the normal cut-off wheel on its normal working surface.
3. Guard against cut-off sparks.
4. Properly replace the cut-off wheel.
5. Always pay attention that the cut-off wheel clamping parts are never impaired. Defective parts will cause damage to the cut-off wheel.
6. Ensure that the workpiece is free of foreign matter such as nails.
7. Use only cutting wheels recommended by the manufacturer which have a marked speed equal to or greater than the speed marked on the nameplate of the machine.
8. Abrasive wheels shall be stored and handled with care in accordance with manufacturer's instructions.
9. Ensure that mounted wheel are fitted in accordance with the manufacture's instructions.
10. Do never use the machine without the guard in place.

11. Do not saw blade.
12. Do not use the machine in explosive atmospheres and environments where sparks could fire, explosion etc.

SPECIFICATIONS

Voltage (by areas)*		(110V, 115V, 120V, 127V) ~	(230V, 240V) ~
Input		1640 W*	2000 W*
Max. cutting dimensions	90°	115 mm × 130 mm	70 mm × 235 mm
Height × width	45°	100 mm × 106 mm	
Cut-off wheel		ø355 × ø25.4 × 4 mm (Reinforced resinoid cut-off wheel)	
No-Load Speed		3800 min ⁻¹	
Max. working peripheral speed		4800 m/min	
Weight		17 kg	

*Be sure to check the nameplate on product as it is subject to change by areas.

STANDARD ACCESSORIES

- (1) Cut-off wheel 1
- (2) Hex. bar wrench 1

APPLICATION

Cutting of various metallic materials such as pipes, round bars, shaped steel and siding board.

PRIOR TO OPERATION

1. **Power source**
Ensure that the power source to be utilized conforms to the power requirements specified on the product nameplate.
2. **Power switch**
Ensure that the power switch is in the OFF position. If the plug is connected to a receptacle while the power switch is in the ON position, the power tool will start operating immediately, which could cause a serious accident.
3. **Extension cord**
When the work area is removed from the power source, use an extension cord of sufficient thickness and rated capacity. The extension cord should be kept as short as practicable.
4. Install the machine on a level flat place, and keep it in a stable condition. Prior to shipping, the equipment is subjected to a rigid factory inspection to prevent electric shocks during operation.
5. Since movable portions are secured by tension of a chain while in transit, remove the chain from the chain hook by slightly depressing the switch handle.
6. Ascertain that all cut-off wheels are in perfect condition, and do not display scars and cracks.
7. Although they have been fully clamped at the factory prior to delivery, reclamp the clamping nuts securely for safety.
8. Possible accidents such as a cracked cut-off wheel is prevented by this protective cover (wheel cover).

Although it has been fully clamped at the factory prior to delivery, securely reclamp the mounting screws for safety.

9. When replacing the cut-off wheel, ensure that the replacement cutting wheel has a designed circumferential speed in excess of 4800 m/min.
10. Ensure that the bar spanner used for tightening or removing the cut-off wheel is not attached to the machine.
11. Check that the work piece is properly supported. Ensure that the material is securely fastened with the vise. If it is not, a serious accident could be caused if the material comes loose or the cut-off wheel breaks during operation.
12. Ensure that the abrasive wheel is correctly fitted and tightened before use and run the machine at no-load for 30 seconds in safe position, stop immediately if there is a considerable vibration or if other defects are detected. If this condition occurs, check the machine to determine the cause.
13. Rotate the cut-off wheel to inspect any facial deflection. A heavy deflection will cause the cut-off wheel to shift.
14. Ensure that ventilation openings are kept clear when working in dusty conditions. If it should become necessary to clear dust, first disconnect the machine from the mains supply.

CUTTING PROCEDURES

CAUTION

It is dangerous to remove or install the workpiece while the cut-off wheel turning.

1. Operating the switch

The switch is switched on by manually pulling the trigger and cut off by releasing the trigger to the original location. The switch will not operate unless the stopper has been pushed in.

2. Cutting

- (1) Rotate the cut-off wheel, gently press down the handle, and bring the cut-off wheel close to the cutting material.

- (2) When the cut-off wheel contacts the cutting material, gently press down the handle further and start cutting.
- (3) When cutting (or designated slotting) is completed, raise the handle and restore it to its original position.
- (4) At the termination of each cutting process, turn OFF the switch to stop rotation and proceed with the subsequent cutting job.

CAUTION

It does not necessarily cut rapidly when putting more force on the handle.

Too much force on the handle will put excessive pressure on the motor and reduce its capacity.

Do not fail to switch OFF the switch after operation is completed and pull the plug out.

MOUNTING AND DISMOUNTING THE CUT-OFF WHEEL

1. Dismounting the cut-off wheel (Fig. 2)

- (1) Press the stopper and loosen the bolt with a hex. bar wrench.

CAUTION

When the mounting shaft for cut-off wheel cannot be fixed with pressing the stopper, turn the bolt with a hex. bar wrench while pressing the stopper. The mounting shaft for cut-off wheel is fixed when the stopper has been lowered.

- (2) Remove the bolt, washer (A), and the wheel washer and detach the cut-off wheel.

2. Mounting the cut-off wheel

Thoroughly remove dust from the wheel washers and bolt then mount the wheel by following the dismounting procedures in reverse order. Be sure to attach the sub-cover at the end.

CAUTION

Confirm that the stopper which was used for installation and removal of the cut-off wheel has returned to the retract position.

HOW TO OPERATE

1. Procedure for fixing the cutting material (Fig. 8 and 9)

Place the workpiece material between vise (A) and vise (B), raise the clutch and push the screw handle to bring vise (A) lightly into contact with the workpiece material, as shown in Fig. 8.

Then, turn the clutch down, and securely fix the workpiece material in position by turning the screw handle. When the cutting job is completed, turn the screw handle 2 or 3 times to loosen the vise, and remove the workpiece material, as shown in Fig. 9.

CAUTION

The wheel continues to rotate after the machine is switched off.

Never remove or install a workpiece material while the cut-off wheel is rotating, to avoid personal injury. Long workpieces must be supported by blocks nonflammable material on either side so that it be level with the base top.

2. Cutting at angles (Fig. 3 and 4)

- (1) The machine permits cutting at angles of 45° or 60°.

- (2) Loosen the two M10 hexagon socket head bolts on the vice (B), then set the working surface on the vice-jaw at any angles of 0°, 30°, or 45° as shown in Fig. 4. Upon completion of setting, securely tighten the two 10 mm bolts.

- (3) When wide material is cut with angle, it will be firmly camped by fixing a steel board like Fig. 5 to the vise (B).

3. Moving the stationary vise-jaw (Fig. 6)

The vise opening is set at the maximum of 170 mm when shipped from the factory. In case an opening of more than 170 mm is required, move the vise to the position shown by the chain line after unscrewing the two bolts. The maximum opening can be set in two steps 205 mm and 240 mm. When the cutting material is excessively wide, the vise can be effectively used by repositioning the stationary side of the vise-jaws.

4. How to use metallic block (Fig. 7)

When the cut-off wheel has a reduced outer diameter, insert between the vise (A) and (B) a metallic block slightly smaller than the dimension of workpiece being cut to use the cut-off wheel economically.

MAINTENANCE AND INSPECTION

CAUTION

Be sure to switch off and pull off the plug from the power outlet before inspection and maintenance.

1. Replacing a cut-off wheel

When the cut-off wheel has already become dull while continually using, the unnecessary load is got from the motor. Consequently, redress or replace a dull cut-off wheel to ensure grinding efficiency.

2. Inspecting the carbon brushes (Fig. 10)

The Motor employs carbon brushes which are consumable parts. When they become worn to or near the "wear limit", it could result in motor trouble. When an auto-stop carbon brush is equipped, the motor will stop automatically. At that time, replace both carbon brushes with new ones which have the same carbon brush Number shown in the figure. In addition, always keep carbon brushes clean and ensure that they slide freely within the brush holders.

3. Inspecting the mounting screws

Regularly inspect all mounting screws and ensure that they are properly tightened. Should any of the screws be loose, retighten them immediately. Failure to do so could result in serious hazard.

4. Lubrication

Supply oil in the following oil supply points once a month so as to keep the machine workable for a long time (See Fig. 1).

Oil supply points

- Rotary part of shaft
- Rotary part of vise
- Slide way of vise (A)

5. Cleaning

Wipe off chip and waste adhered to the machine with a cloth or the like time to time. Be careful not to make the motor portion wet with oil or water.

6. Faults in the machine, including guards or cutter blades, should be reported as soon as they are discovered.

7. Service parts list

CAUTION

Repair, modification and inspection of Hitachi Power Tools must be carried out by an Hitachi Authorized Service Center.

This Parts List will be helpful if presented with the tool to the Hitachi Authorized Service Center when requesting repair or other maintenance.

In the operation and maintenance of power tools, the safety regulations and standards prescribed in each country must be observed.

MODIFICATIONS

Hitachi Power Tools are constantly being improved and modified to incorporate the latest technological advancements.

Accordingly, some parts may be changed without prior notice.

NOTE

Due to HITACHI's continuing program of research and development, the specifications herein are subject to change without prior notice.

Information concerning airborne noise and vibration

The measured values were determined according to EN61029.

The typical A-weighted sound pressure level: 97 dB (A).
The typical A-weighted sound power level: 109 dB (A).
Wear ear protection.

The typical weighted root mean square acceleration value: 1.2 m/s².

● Information about power supply system of nominal voltage 230 V-

Under unfavorable mains conditions, this power tool may cause *transient voltage drops* or *interfering voltage fluctuations*.

This power tool is intended for the connection to a power supply system with a maximum permissible system impedance Z_{MAX} of 0.14 Ohm at the interface point (power service box) of the user's supply.

The user has to ensure that this power tool is connected only to a power supply system which fulfills the requirement above.

If necessary, the user can ask the public power supply company for the system impedance at the interface point.

● Information about the circuit-breaker switch of nominal voltage 230 V-

This tool should be used only if it is connected to a 16 A Fuse with gl disconnection characteristic.

ALLGEMEINE VORSICHTSMASSNAHMEN

WARNUNG! Bei der Verwendung von Elektrowerkzeugen müssen immer die grundlegenden Vorsichtsmaßnahmen befolgt werden, um das Risiko von Feuer, elektrischem Schlag und persönlicher Verletzung und den nachfolgenden Punkten zu vermeiden. Lesen Sie diese Anweisungen völlig, bevor Sie dieses Erzeugnis verwenden, und bewahren Sie diese Anweisungen auf.

Für sicheren Betrieb:

1. Der Arbeitsplatz sollte sauber gehalten werden. Unaufgeräumte Arbeitsplätze und Werkbänke erhöhen die Unfallgefahr.
2. Die Betriebsbedingungen beachten. Elektrowerkzeuge sollten nicht dem Regen ausgesetzt werden. Ebenfalls sollten Sie nicht an feuchten oder nassen Plätzen gebraucht werden. Der Arbeitsplatz sollte gut beleuchtet sein. Verwenden Sie Elektrowerkzeuge nicht an Orten, an denen die Gefahr von Feuer oder Explosion besteht.
3. Schutzmaß nahmen gegen elektrische Schläge treffen. Darauf achten, daß das Gehäuse nicht in Kontakt mit geerdeten Flächen kommt (z.B. Rohre, Radiatoren, Elektroherde, Kühlschränke).
4. Kinder und gebrechliche Personen sollten vom Gerät ferngehalten werden. Vermeiden, daß andere Personen mit dem Werkzeug oder Verlängerungskabel in Kontakt kommen. Besucher sollten vom Arbeitsbereich ferngehalten werden.
5. Nicht benutzte Werkzeuge sollten sicher aufbewahrt werden. Sie sollten an einem trockenen und verschließbaren Ort aufbewahrt werden, damit sie Kindern oder gebrechlichen Personen nicht in die Hände kommen.
6. Werkzeuge sollten nicht mit übermäßiger Gewalt verwendet werden. Ihre Leistung ist besser und sicherer, wenn sie mit der vorgeschriebenen Geschwindigkeit verwendet werden.
7. Nur die korrekten Werkzeuge verwenden. Niemals ein kleineres Werkzeug oder Zusatzgerät für Arbeiten verwenden, die Hochleistungsgeräte erfordern. Nur Werkzeuge verwenden, die dem Verwendungszweck entsprechen, d.h. niemals eine Kreissäge zum Sägen von Ästen oder Baumstämmen verwenden.
8. Die richtige Kleidung tragen. Keine lose Kleidung oder Schmuck tragen, da sich lose Kleidungsstücke in den bewegenden Teilen verfangen können. Bei Arbeiten im Freien sollten Gummihandschuhe und rutschfeste Schuhe getragen werden. Tragen Sie eine schützende Haarabdeckung, um langes Haar zurückzuhalten.
9. Es sollte eine Sicherheitsbrille getragen werden. Bei Arbeiten mit Staubeentwicklung sollte eine Gesichtsmaske getragen werden.
10. Schließen Sie eine Staubabsaugvorrichtung an. Wenn Vorrichtungen für den Anschluß von Staubabsaug- und -sammelvorrichtungen vorhanden sind, so stellen Sie sicher, daß diese angeschlossen sind und richtig verwendet werden.
11. Niemals das Kabel mißbrauchen. Ein Werkzeug niemals am Kabel tragen oder bei Abtrennung von der Steckdose das Kabel herausreißen. Das Kabel sollte gegen Hitze, Öl und scharfe Kanten geschützt werden.

12. Den Arbeitsplatz gut absichern. Zwingen oder einen Schraubstock zur Befestigung des Werkstücks verwenden. Das ist sicherer als die Benutzung der Hände und macht beide Hände zur Bedienung des Werkzeugs frei.
13. Sich niemals weit überbeugen. Immer einen festen Stand und ein sicheres Gleichgewicht bewahren.
14. Die Werkzeuge sollten sorgfältig behandelt werden. Für einen einwandfreien und sicheren Betrieb sollten sie stets scharf sein und saubergehalten werden. Die Anleitungen für schmierung und Austausch des Zuehls unbedingt einhalten. Die Kabel der Geräte regelmäßig überprüfen und bei Beschädigung durch eine autorisierte Kundendienststelle reparieren lassen. Ebenfalls die Verlängerungskabel regelmäßig überprüfen und bei Beschädigung auswechseln. Die Handgriffe sollten stets trocken und sauber sein, sowie keine Öl- oder Schmierfett stellen aufweisen.
15. Werkzeuge vom Netz trennen, wenn sie nicht benutzt werden, vor Wartungsarbeiten und beim Austausch von Zubehöerteilen wie z.B. Blätter, Bohrer und Messer.
16. Alle Stellkeile und Schraubenschlüssel entfernen. Vor Einschaltung des Gerätes darauf achten, daß alle Stellkeile und Schraubenschlüssel entfernt worden sind.
17. Ein unbeabsichtigtes Einschalten sollte vermieden werden. Niemals ein angeschlossenes Werkzeug mit dem Finger am Schalter tragen. Vor Anschluß überprüfen, ob das Gerät ausgeschaltet ist.
18. Im Freien ein Verlängerungskabel verwenden. Nur ein Verlängerungskabel verwenden, das für die Verwendung im Freien markiert ist.
19. Den Arbeitsvorgang immer unter Kontrolle haben. Das Gerät niemals in einem abgespannten Zustand verwenden.
20. Beschädigte Teile überprüfen. Vor Benutzung des Werkzeugs sollten beschädigte Teile oder Schutzvorrichtungen sorgfältig überprüft werden, um festzustellen, ob sie einwandfrei funktionieren und die vorgesehene Funktion erfüllen, Ausrichtung, Verbindungen sowie Anbringung sich bewegender Teile überprüfen. Ebenfalls überprüfen, ob Teile gebrochen sind. Teile oder Schutzvorrichtungen, die beschädigt sind, sollten, wenn in dieser Bedienungsanleitung nichts anderes erwähnt ist, durch eine autorisierte Kundendienststelle ausgetauscht oder repariert werden. Dasselbe gilt für defekte Schalter. Wenn sich das Werkzeug nicht mit dem Schalter einoder ausschalten läßt, sollte das Werkzeug nicht verwendet werden.
21. Warnung
Die Verwendung von anderem Zubehör oder anderen Zusätzen als in dieser Bedienungsanleitung empfohlen kann das Risiko einer Körperverletzung einschließen.
22. Lassen Sie Ihr Werkzeug durch qualifiziertes Personal reparieren. Dieses Elektrowerkzeug entspricht den zutreffenden Sicherheitsanforderungen. Reparaturen sollten nur von qualifiziertem Personal unter Verwendung von Originalersatzteilen durchgeführt werden, da sonst beträchtliche Gefahr für den Benutzer auftreten kann.

VORSICHTSHINWEISE ZUR VERWENDUNG DES TRENNSCHEIFERS

- Überprüfen Sie die Trennscheibe vor der Benutzung. Verwenden Sie keine angeschlagenen oder sonst wie defekten Trennscheiben. Immer zuerst einen Probelauf durchführen, um sich zu vergewissern, daß die Maschine normal funktioniert.
- Das normale Abschneiderad auf einer normalen Arbeitsfläche verwenden.
- Schutzmaßnahmen gegen Funkenflug treffen.
- Das Abschneiderad immer richtig ersetzen.
- Stets darauf achten, daß die festklemmenden Teile des Abschneiderades in Ordnung sind. Fehlerhafte Teile führen zu Beschädigungen des Abschneiderades.
- Immer darauf achten, daß das Werkstück keine fremden Gegenstände wie Nägel enthält.
- Verwenden Sie nur vom Hersteller empfohlene Trennscheiben, deren Nenndrehzahl mindestens so hoch wie die auf dem Typenschild der Maschine angegebene Drehzahl ist.
- Schleifscheiben müssen gemäß den Herstelleranweisungen mit Sorgfalt gelagert und behandelt werden.
- Stellen Sie sicher, dass zusammengesetzte Scheiben gemäß den Herstelleranweisungen angebracht werden.
- Benutzen Sie die Maschine niemals ohne Schutzhaube.
- Verwenden Sie keine Sägeblätter.
- Benutzen Sie die Maschine nicht Umgebungen mit explosiven Stoffen, wo Funken einen Brand oder eine Explosion usw. verursachen könnten.

TECHNISCHE DATEN

Spannung (nach Gebieten)*		(110V, 115V, 120V, 127V) \curvearrowright	(230V, 240V) \curvearrowright
Leistungsaufnahme		1640 W*	2000 W*
Maximale Schnittmaße Höhe x Breite	90°	115 mm x 130 mm	70 mm x 235 mm
	45°	100 mm x 106 mm	
Abschneiderad		$\varnothing 355 \times \varnothing 25,4 \times 4$ mm (Kunstharzverstärkte Trennscheibe)	
Leerlaufdrehzahl		3800 min ⁻¹	
Maximale Arbeitsdrehzahl		4800 m/min	
Gewicht		17 kg	

*Vergessen Sie nicht, die Produktangaben auf dem Typenschild zu überprüfen, da sich diese je nach Verkaufsgebiet ändern.

STANDARDZUBEHÖR

- Abschneiderad 1
- Seckschlüssel 1

ANWENDUNG

Schneiden verschiedener Metallgegenstände wie Rohre, runde Stangen, geformter Stahl und Platten.

VOR INBETRIEBNAHME

- Netzspannung**
Prüfen, daß die zu verwendende Netzspannung der Angabe auf dem Typenschild entspricht.
- Netzschalter**
Prüfen, daß der Netzschalter auf „AUS“ steht. Wenn der Stecker an das Netz angeschlossen wird, während der Schalter auf „EIN“ steht, beginnt das Werkzeug sofort zu laufen, was gefährlich ist.
- Verlängerungskabel**
Wenn der Arbeitsbereich nicht in der Nähe des Netzanschlusses liegt, ist ein Verlängerungskabel ausreichenden Querschnitts und ausreichender Nennleistung zu verwenden. Das Verlängerungskabel sollte so kurz wie möglich gehalten werden.
- Die Maschine auf einer ebenen, flachen Unterlage anbringen und dafür sorgen, daß sie stabil bleibt. Vor der Auslieferung werden unsere Geräte in der Fabrik genauestens geprüft, um elektrische Schläge bei der Verwendung zu verhindern.
- Bewegliche Teile sind beim Transport durch eine Kette gesichert. Die Kette vom Haken entfernen, indem der Schaltergriff leicht gedrückt wird.
- Sich vergewissern, daß sich alle Abschneideräder in erstklassigem Zustand befinden und keine Scharten und Sprünge aufweisen.
- Die Knebelmuttern wurden in der Fabrik vor der Auslieferung fest eingespannt. Dennoch sollten sie aus Sicherheitsgründen vor der Verwendung nochmals festgeklemmt werden.
- Diese Schutzabdeckung (Radabdeckung) verhindert Unfälle und Beschädigungen des Abschneiderades. Die Festschrauben wurden in der Fabrik vor der Auslieferung fest angezogen. Dennoch sollten sie aus Sicherheitsgründen vor der Verwendung nochmals festgezogen werden.
- Bei Auswechseln des Abschneiderades sich vergewissern, daß das Austauschrad für Umfangsgeschwindigkeiten von über 4800 m/min geeignet ist.

10. Der stangenförmige Mutternschlüssel sollte nur dazu verwendet werden, das Abschnneiderad festzustellen oder zu entfernen. Er sollte nicht an der Maschine belassen werden.
11. Stellen Sie sicher, dass das Werkstück einwandfrei abgestützt ist. Stets sichergehen, daß das Werkstück im Schraubstock gut festgeklemmt ist. Sollte dies nicht der Fall sein, kann es zu schweren Unfällen kommen, wenn sich das Werkstück löst oder das Abschnneiderad während des Schneidevorgangs bricht.
12. Stellen Sie vor der Benutzung sicher, dass die Schleifscheibe korrekt angebracht und angezogen ist, und lassen Sie die Maschine an einem sicheren Ort 30 Sekunden lang im Leerlauf laufen. Schalten Sie die Maschine sofort aus, falls Sie beträchtliche Vibrationen oder andere Defekte feststellen. Falls diese Situation eintritt, überprüfen Sie die Maschine, um die Ursache ausfindig zu machen.
13. Das Abschnneiderad drehen, um es auf Unregelmäßigkeiten hin zu prüfen. Eine starke Krümmung des Abschnneiderades führt zu dessen Verschiebung.
14. Achten Sie beim Arbeiten unter staubigen Bedingungen darauf, dass die Ventilationsöffnungen frei gehalten werden. Sollte die Beseitigung von Staub notwendig sein, trennen Sie die Maschine zuerst vom Stromnetz.

SCHNEIDEVORGANG

ACHTUNG

Es ist gefährlich, das Werkstück festzuklemmen oder herauszunehmen, wenn sich das Abschnneiderad dreht!

1. Schalterbedienung

Der Schalter wird durch manuelles Drücken des Auslösers eingeschaltet. Der Schalter funktioniert nur, wenn die Sperre hineingedrückt wird.

2. Schneiden

- (1) Das Abschnneiderad drehen, den Griff langsam nach unten drücken und das Abschnneiderad nahe an das Werkstück heranbringen.
- (2) Sobald das Abschnneiderad mit dem Werkstück in Berührung kommt, den Griff langsam weiter niederdrücken, um so mit dem Schneiden zu beginnen.
- (3) Sobald der Schneidevorgang (oder Schlitzvorgang) beendet ist, den Griff heben und an seine Ausgangsposition zurückführen.
- (4) Nach Abschluß jedes Schneidevorgangs den Schalter auf OFF (aus) stellen, um die Umdrehung zu stoppen, und dann zur folgenden Schneidearbeit übergehen.

ACHTUNG

Stärkere Druckausübung auf den Griff führt nicht unbedingt zu schnellerem Schneiden. Vielmehr belastet zu viel Druck auf den Griff den Motor und vermindert damit dessen Leistung. Nach Beendigung des Schneidevorgangs den Schalter unbedingt auf OFF (aus) schalten und den Stecker aus der Steckdose ziehen.

ANBRINGEN UND ABNEHMEN DER SCHLEIFSCHLEIBE

1. Abnehmen der Schleifscheibe (Abb. 2)

- (1) Den Stopper drücken und die Bolzenschraube mit einem Sechskantsteckschlüssel lösen.

ACHTUNG

Wenn die Befestigungswelle der Schleifscheibe nicht durch Drücken des Stoppers befestigt werden kann, die Bolzenschraube mit einem Sechskantsteckschlüssel drehen und den Stopper drücken. Die Befestigungswelle der Schleifscheibe ist befestigt, wenn der Stopper gesenkt ist.

- (2) Bolzenschraube, Unterlegscheibe (A) und Rad-Unterlegscheibe entfernen und die Schleifscheibe abnehmen.

2. Anbringen der Schleifscheibe

Staub gründlich von den Rad-Unterlegscheiben und Bolzenschrauben entfernen und dann die Schleifscheibe mit den gleichen Schritten aber in umgekehrter Reihenfolge des Abnahmeverfahrens anbringen. Sicherstellen, daß die Unterabdeckung am Ende angebracht ist.

ACHTUNG

Sicherstellen, daß der Stopper, der zum Anbringen und Abnehmen der Schleifscheibe verwendet wurde, wieder in Rückzugstellung angebracht wird.

BEDIENUNGSSCHRITTE

1. Verfahren zur Befestigung des zu schneidenden Materials (Abb. 8 und 9)

Setzen Sie das Material zwischen Schraubstock (A) und Schraubstock (B), heben Sie die Kupplung an und drücken Sie den Schraubgriff, um Schraubstock (A) leicht in Kontakt mit dem Werkstückmaterial zu bringen, wie in **Abb. 8** gezeigt.

Drehen Sie dann die Kupplung nach unten und fixieren Sie das Werkstückmaterial durch Drehen des Schraubgriffs an seiner Position. Drehen Sie den Schraubgriff nach beendigtem Schneiden zwei oder drei mal, um den Schraubstock zu lösen, und entfernen Sie das Werkstückmaterial, wie in **Abb. 9** gezeigt.

ACHTUNG

Die Schleifscheibe dreht sich nach dem Ausschalten der Maschine noch weiter.

Zur Vermeidung von Körperverletzungen das Werkstückmaterial niemals bei laufender Trennscheibe entfernen oder anbringen.

Lange Werkstücke müssen auf beiden Seiten durch Unterlagen aus nicht brennbarem Material abgestützt werden, so dass das Werkstück parallel zur Oberseite des Maschinenteiles liegt.

2. Winkelschleifen (Abb. 3 und 4)

- (1) Die Maschine erlaubt Schneiden in einem Winkel von 45° oder 60°.
- (2) Die beiden M10-Sechskant-Zylinderschrauben auf dem Schraubstock (B) lösen, dann die Arbeitsoberfläche auf der Schraubstockbacke in einem Winkel von 0°, 30° oder 45° einstellen, wie in **Abb. 4** gezeigt. Nach Durchführung der Einstellung die beiden 10 mm Bolzenschrauben fest anziehen.
- (3) Wenn breite Werkstücke im Winkel geschliffen werden, diese durch Befestigung einer Stahlplatte

wie in **Abb. 5** gezeigt auf dem Schraubstock (B) sicher befestigen.

- 3. Verstellen der festen Schraubstockbacke (Abb. 6)**
Die Schraubstocköffnung ist bei Versand ab Werk auf den Maximalwert von 170 mm eingestellt. Wenn eine größere Öffnung als 170 mm erforderlich ist, die Schraubstockbacke in die Stellung bringen, wie sie durch die Kettenlinie nach Lösen der beiden Bolzenschrauben angezeigt wird. Die Maximalöffnung kann in zwei Stufen von 205 mm und 240 mm eingestellt werden. Wenn das Werkstück besonders breit ist, kann der Schraubstock effektiv durch Neustellung der Festseiten der Schraubstockbacken eingesetzt werden.
- 4. Arbeit mit einem Metallblock (Abb. 7)**
Wenn eine Trennscheibe einen verkleinerten Außendurchmesser hat, zwischen die Schraubstöcke (A) und (B) einen Metallblock einfügen, der etwas kleiner als das Werkstück ist, um die Schleifscheibe wirtschaftlich einzusetzen.

WARTUNG UND PRÜFUNG

ACHTUNG

Sicherstellen, daß der Schalter ausgeschaltet und das Netzkabel aus der Steckdose gezogen ist, bevor Wartung und Prüfung durchgeführt wird.

1. Auswechseln der Schleifscheibe

Wenn die Schleifscheibe bereits durch lange Verwendung stumpf geworden ist, wird der Motor unnötig stark belastet. Dementsprechend solche Schleifscheiben profilieren oder austauschen, um Schleifeffizienz zu gewährleisten.

2. Inspektion der Kohlebürsten (Abb. 10)

Im Motor sind Kohlebürsten verwendet, die Verbrauchsteile sind. Wenn sie abgenutzt sind, kann es zu Motorschäden führen. Wenn der Motor mit einer Auto-Stop Kohlebürste ausgestattet ist, wird er automatisch anhalten. Beide Kohlebürsten sollen dann durch neue ersetzt werden, die dieselbe Bürstenummer tragen, wie auf der Abbildung. Darüber hinaus müssen die Kohlebürsten immer sauber gehalten werden und müssen sich in der Bürstenhalterung frei bewegen können.

3. Inspektion der Befestigungsschrauben

Alle Befestigungsschrauben werden regelmäßig inspiziert und geprüft, ob sie gut angezogen sind. Wenn sich eine der Schrauben lockert, muß sie sofort wieder angezogen werden. Geschieht das nicht, kann das zu erheblichen Gefahren führen.

4. Schmierung

An den folgenden Stellen einmal monatlich Öl zugeben, um lange Funktionsfähigkeit der Maschine zu gewährleisten (Siehe **Abb. 1**).

Ölungsstellen

- Drehteile der Welle
- Drehteile des Schraubstocks
- Gleitbahn des Schraubstocks (A)

5. Reinigung

An der Maschine befindliche Späne und Schmutz regelmäßig mit einem Lappen abwischen. Darauf achten, nicht Öl oder Wasser in den Motorteil geraten zu lassen.

6. Mängel an der Maschine, einschließlich Schutzhauben und Trennscheiben, müssen bei Erkennung sofort gemeldet werden.

7. Liste der Wartungsteile

ACHTUNG

Reparatur, Modifikation und Inspektion von Hitachi-Elektrowerkzeugen müssen durch ein autorisiertes Hitachi-Kundendienstzentrum durchgeführt werden. Diese Teilleiste ist hilfreich, wenn sie dem autorisierten Hitachi-Kundendienstzentrum zusammen mit dem Werkzeug für Reparatur oder Wartung ausgehändigt wird.

Bei Betrieb und Wartung von Elektrowerkzeugen müssen die Sicherheitsvorschriften und Normen beachtet werden.

MODIFIKATIONEN

Hitachi-Elektrowerkzeuge werden fortwährend verbessert und modifiziert, um die neuesten technischen Fortschritte einzubauen.

Dementsprechend ist es möglich, daß einige Teile ohne vorherige Benachrichtigung geändert werden.

ANMERKUNG

Aufgrund des ständigen Forschungs- und Entwicklungsprogramms von HITACHI sind Änderungen der hierin gemachten technischen Angaben nicht ausgeschlossen.

Information über Betriebslärm und Vibration

Die Meßwerte wurden entsprechend EN61029 bestimmt.

Der typische A-gewichtete Schalldruck ist 97 dB (A)

Der typische A-gewichtete Schalleistungspegel ist 109 dB (A)

Bei der Arbeit immer Ohrschutz tragen.

Der typische gewogene quadratische Mittelwert für die Beschleunigung ist 1,2 m/s².

● Informationen zum Stromversorgungssystem mit einer Nennspannung von 230 V oder mehr

Unter ungünstigen Netzbedingungen kann dieses Elektrowerkzeug *vorübergehenden Spannungsabfall* oder *störende Spannungsschwankungen* verursachen.

Dieses Elektrowerkzeug ist vorgesehen für den Anschluss an ein Stromversorgungssystem mit einer maximal zulässigen Systemimpedanz Z_{MAX} von 0,14 Ohm an der Schnittstelle (Anschlusskasten) des Benutzers.

Der Benutzer muss sicherstellen, dass dieses Elektrowerkzeug nur an ein Stromversorgungssystem angeschlossen wird, das die obige Anforderung erfüllt. Wenn erforderlich, kann sich der Benutzer für die Systemimpedanz an der Schnittstelle an die öffentliche Stromversorgungsgesellschaft wenden.

● **Information zum Leistungsschalter für eine Nennspannung von 230 V ~**

Diese Maschine darf nur benutzt werden, wenn sie an eine 16-A-Sicherung mit gl-Trenneigenschaften angeschlossen ist.

ΓΕΝΙΚΑ ΜΕΤΡΑ ΑΣΦΑΛΕΙΑΣ ΚΑΤΑ ΤΗ ΛΕΙΤΟΥΡΓΙΑ

ΚΙΝΔΥΝΟΣ! Κατά τη χρήση ηλεκτρικών εργαλείων, τα βασικά μέτρα ασφαλείας πρέπει πάντοτε να ακολουθούνται για την ελάττωση του κινδύνου της πυρκαγιάς, της ηλεκτροπληξίας και του ατομικού τραυματισμού, συμπεριλαμβανομένων των παρακάτω. Διαβάστε όλες αυτές τις οδηγίες πριν θέσετε σε λειτουργία αυτό το προϊόν και φυλάξτε αυτές τις οδηγίες.

Για ασφαλείς λειτουργίες:

1. Διατηρήστε τον χώρο εργασίας καθαρό. Οι ακατάστατοι χώροι και πάγκοι εργασίας έχουν την τάση να προκαλούν τραυματισμούς.
2. Λάβετε υπόψη τον περιβάλλον εργασίας. Μην εκθέσετε τα ηλεκτρικά εργαλεία στη βροχή. Μην χρησιμοποιήσετε ηλεκτρικά εργαλεία σε νοτιομένες ή υγρές περιοχές. Κρατήστε το χώρο εργασίας καλά φωτισμένο. Μην χρησιμοποιήσετε τα ηλεκτρικά εργαλεία σε χώρο όπου υπάρχει κίνδυνος φωτιάς ή έκρηξης.
3. Φυλαχτείτε ενάντια στην ηλεκτροπληξία. Αποφύγετε την σωματική επαφή με γειωμένες επιφάνειες, (π.χ. σωλήνες, θερμάστρες, μαγειρικές συσκευές, ψυγεία).
4. Κρατήστε τα παιδιά μακριά και τα καθυστερημένα άτομα. Μην αφήνετε τους επισκέπτες να αγκίζουν το εργαλείο ή το καλώδιο προέκτασης. Όλοι οι επισκέπτες πρέπει να κρατιούνται μακριά από το χώρο εργασίας.
5. Αποθηκεύστε τα εργαλεία που δεν βρίσκονται σε λειτουργία. Όταν δεν χρησιμοποιούνται τα εργαλεία πρέπει να αποθηκεύονται σε ένα χώρο που είναι στεγνός, βρίσκεται σε μια υψηλή θέση ή είναι κλειδωμένος, μακριά από τη πρόσβαση των παιδιών και τα καθυστερημένα άτομα.
6. Μην ασκήσετε βία στο εργαλείο. Θα πραγματοποιήσει την εργασία καλύτερα και με μεγαλύτερη ασφάλεια στο ρυθμό για τον οποίο σχεδιάστηκε.
7. Χρησιμοποιήστε το κατάλληλο εργαλείο. Μην προσπαθήσετε βίαια με μικρά εργαλεία ή προσαρτήματα να κάνετε τη δουλειά ενός εργαλείου σχεδιασμένο για βαριές δουλειές. Μην χρησιμοποιήσετε εργαλεία για δουλειές για τις οποίες δεν προορίζονται. Για παράδειγμα μην χρησιμοποιήσετε ένα κόφτη για να κόψετε κλαδιά δέντρου ή κούτσουρα.
8. Ντυθείτε κατάλληλα. Μην φοράτε φαρδιά ρούχα ή κοσμήματα, αυτά μπορούν να πιαστούν στα μετακινούμενα μέρη. Λαστιχένια γάντια και μη ολισθηρά υποδήματα συνιστώνται όταν εργάζεστε σε εξωτερικούς χώρους. Φορέστε ένα προστατευτικό κάλυμμα μαλλιών για να καλύψετε τα μακριά μαλλιά.
9. Χρησιμοποιήστε προστατευτικό ματιών. Επίσης χρησιμοποιήστε μάσκα προσώπου ή σκόνης αν η εργασία της κοπής θα προκαλέσει σκόνη.
10. Συνδέστε ένα εξάρτημα εξαγωγής σκόνης. Αν παρέχονται εξαρτήματα για την σύνδεση των συσκευών εξαγωγής και συλλογής σκόνης σιγουρευτείτε ότι αυτά είναι συνδεδεμένα και ότι χρησιμοποιούνται κατάλληλα.
11. Μην χρησιμοποιήσετε βία στο καλώδιο. Ποτέ μη μεταφέρετε το εργαλείο από το καλώδιο ή το

τραβήξετε απότομα για να το αποσυνδέσετε από την υποδοχή. Κρατήστε το καλώδιο μακριά από θερμότητα, λάδι, και κοφτερές γωνίες.

12. Σιγουρευτείτε το αντικείμενο εργασίας σας. Χρησιμοποιήστε σφιγκτήρες ή μια μέγερνη για το κράτημα του αντικείμενου πάνω στο οποίο εργάζεστε. Είναι πιο ασφαλές από το να χρησιμοποιείτε το χέρι σας και επιπρόσθετα ελευθερώνει και τα δυο χέρια για να λειτουργήσετε το εργαλείο.
13. Μην προεκτείνετε. Διατηρήστε πάντοτε το κατάλληλο πάτημα και ισορροπία.
14. Συντηρείτε τα εργαλεία με προσοχή. Διατηρείτε τα εργαλεία που κόβουν αιχμηρά και καθαρά για καλύτερη και ασφαλέστερη απόδοση. Ακολουθήστε τις οδηγίες για τη λίπανση και την αλλαγή εξαρτημάτων. Ελέγχετε τα καλώδια των εργαλείων περιοδικά και αν έχουν πάθει ζημιά, επισκευάστε τα σε ένα εξουσιοδοτημένο κέντρο επισκευής. Ελέγχετε τα καλώδια περιοδικά και αντικαταστήστε τα αν έχουν πάθει ζημιά. Κρατήστε τις λαβές στεγνές, καθαρές, χωρίς να έχουν λάδι και γράσο.
15. Αποσυνδέστε τα εργαλεία. Όταν δεν χρησιμοποιούνται, πριν από το σέρβις και κατά την αλλαγή εξαρτημάτων όπως λεπίδες, ακίδες, και κόφτες.
16. Αφαιρέστε τα κλειδιά ρυθμιζόμενου ανοίγματος και τα απλά κλειδιά. Έχετε την συνήθεια να ελέγχετε να δείτε αν τα απλά κλειδιά και τα κλειδιά ρυθμιζόμενου ανοίγματος έχουν αφαιρεθεί από το εργαλείο πριν το βάλετε να δουλέψει.
17. Αποφύγετε την άσκοπη εκκίνηση. Μην μεταφέρετε ένα συνδεδεμένο στην μπρίζα εργαλείο με τη σκανδάλη στο χέρι. Βεβαιωθείτε ότι ο διακόπτης είναι κλειστός όταν βάζετε το εργαλείο στη μπρίζα.
18. Χρησιμοποιήστε καλώδια προέκτασης για χρήση σε εξωτερικό χώρο. Όταν το εργαλείο χρησιμοποιείται σε εξωτερικό χώρο χρησιμοποιήστε καλώδια προέκτασης που προορίζονται για χρήση στον εξωτερικό χώρο.
19. Να είστε σε ειριμότητα. Βλέπετε τι κάνετε. Χρησιμοποιήστε τη κοινή λογική. Μην λειτουργείτε το εργαλείο όταν είστε κουρασμένοι.
20. Ελέγχετε τα κατεστραμμένα τμήματα. Πριν την παρατέρα χρήση του εργαλείου, ο προφυλακτήρας ή το οποιοδήποτε κομμάτι που έχει πάθει ζημιά πρέπει να ελεγχθεί προσεκτικά για να διαπιστωθεί ότι θα λειτουργήσει κανονικά και θα εκτελέσει την λειτουργία για την οποία προορίζεται. Ελέγξτε την ευθυγράμμιση των κινούμενων τμημάτων, την ελεύθερη κίνηση των κινούμενων τμημάτων, το σπάσιμο των τμημάτων, την στέρωση και τις οποιοσδήποτε άλλες καταστάσεις που ενδέχεται να επηρεάζουν την λειτουργία του. Ο προφυλακτήρας ή οποιοδήποτε άλλο τμήμα που έχει πάθει ζημιά θα πρέπει να διορθωθεί κατάλληλα ή να αντικατασταθεί από ένα εξουσιοδοτημένο για σέρβις κέντρο εκτός και αν υπάρχει ένδειξη για κάτι άλλο σε αυτές τις οδηγίες χειρισμού. Αντικαταστήστε τους ελαττωματικούς διακόπτες από ένα εξουσιοδοτημένο για σέρβις κέντρο. Μην χρησιμοποιήσετε το εργαλείο αν ο διακόπτης δεν το βάζει σε εκκίνηση και δεν το κλείνει.

21. Κίνδυνος
Η χρήση οποιονδήποτε εξαρτημάτων ή προσαρτημάτων εκτός από αυτά που συνιστώνται σε αυτές τις οδηγίες χειρισμού, μπορεί να προκαλέσει τον κίνδυνο προσωπικού τραυματισμού.
22. Επισκευάστε το εργαλείο σας σε ένα έμπειρο πρόσωπο. Αυτό το ηλεκτρικό εργαλείο είναι εναρμονισμένο με τους σχετικούς κανόνες ασφαλείας. Η επισκευή θα πρέπει να γίνεται μόνον από εμπειρά άτομα που χρησιμοποιούν αυθεντικά ανταλλακτικά. Διαφορετικά μπορεί να προκληθεί σημαντικός κίνδυνος για τον χρήστη.
4. Αντικαταστήστε σωστά τον τροχό κοπής
5. Πάντοτε να δίνεται προσοχή ότι τα εξαρτήματα σύσφιξης του τροχού κοπής δεν είναι ελαττωματικά. Τα ελαττωματικά εξαρτήματα θα προκαλέσουν ζημιά στον τροχό κοπής.
6. Εξασφαλίστε ότι στο αντικείμενο εργασίας δεν υπάρχουν ξένα αντικείμενα όπως καρφιά.
7. Χρησιμοποιήστε μόνο τροχούς κοπής που συνιστώνται από τον κατασκευαστή στους οποίους η αναγραφόμενη ταχύτητα είναι ίση ή μεγαλύτερη από αυτή που αναφέρεται στην πινακίδα της συσκευής.
8. Οι λειαντικοί τροχοί πρέπει να αποθηκεύονται και να χειρίζονται με προσοχή σύμφωνα με τις οδηγίες του κατασκευαστή.
9. Εξασφαλίστε ότι ο στερεωμένος τροχός έχει προσαρμοστεί σύμφωνα με τις οδηγίες του κατασκευαστή.
10. Ποτέ να μην χρησιμοποιήσετε το μηχάνημα χωρίς τον προφυλακτήρα στη θέση του.
11. Μην τον χρησιμοποιήσετε ως πριονόλαμα.
12. Μην χρησιμοποιήσετε το μηχάνημα σε επικίνδυνα περιβάλλοντα και χώρους όπου οπινθήρες μπορούν να προκαλέσουν φωτιά, έκρηξη κλπ.

ΠΡΟΦΥΛΑΚΤΙΚΑ ΜΕΤΡΑ ΠΑΝΩ ΣΤΗ ΧΡΗΣΗ ΤΟΥ ΦΑΛΤΣΟΚΟΠΤΗ

1. Ελέγξτε τον τροχό κοπής πριν από την χρήση, μην χρησιμοποιήσετε σπασμένους ή κατά οποιαδήποτε τρόπο ελαττωματικούς τροχούς κοπής. Πάντοτε να πραγματοποιείτε μια δοκιμή πριν την χρήση για να επιβεβαιώσετε ότι ο Φαλτσοκόπτης δεν έχει ανωμαλίες.
2. Χρησιμοποιήστε τον κανονικό τροχό στην κανονική επιφάνεια.
3. Φυλαχτείτε ενάντια στις σπίθες που προέρχονται από την κοπή.

ΤΕΧΝΙΚΑ ΧΑΡΑΚΤΗΡΙΣΤΙΚΑ

Τάση (ανά περιοχές)*		(110V, 115V, 120V, 127V) \sim	(230V, 240V) \sim
Ισχύς εισόδου		1640 W*	2000 W*
Μέγ. διαστάσεις κοπής Ύψος x πλάτος	90°	115 mm x 130 mm	70 mm x 235 mm
	45°	100 mm x 106 mm	
Τροχός κοπής		ø355 x ø25,4 x 4 mm (Ενισχυμένος ρητινοειδής φαλτσοκόπτης)	
Ταχύτητα χωρίς φορτίο		3800 min ⁻¹	
Μεγ. Περιφερειακή ταχύτητα λειτουργίας		4800 m/min	
Βάρος		17 kg	

* Βεβαιωθείτε να ελέγξετε την πινακίδα στο προϊόν επειδή υπόκεινται σε αλλαγή σε εξάρτηση από την περιοχή.

ΚΑΝΟΝΙΚΑ ΕΞΑΡΤΗΜΑΤΑ

- (1) Τροχός κοπής 1
- (2) Εξ. Κλειδί Άλεν 1

ΕΦΑΡΜΟΓΕΣ

Κοπή διάφορων μεταλλικών υλικών όπως σωλήνες, στρογγυλές βέργες, διαμορφωμένο ασάλι και πλαίσια κρηπιδωμάτων.

ΠΡΙΝ ΤΗ ΛΕΙΤΟΥΡΓΙΑ

1. Πηγή ρεύματος

Βεβαιωθείτε ότι η πηγή ρεύματος που πρόκειται να χρησιμοποιηθεί είναι εναρμονισμένη με τις απαιτήσεις σε ρεύμα που αναφέρεται στην πινακίδα του εργαλείου.

2. Διακόπτης ρεύματος

Βεβαιωθείτε ότι ο διακόπτης ρεύματος βρίσκεται στη θέση OFF. Αν το βίσμα είναι στη μπρίζα καθώς ο διακόπτης ρεύματος βρίσκεται στο ON, το εργαλείο θα αρχίσει να λειτουργεί αμέσως, με πιθανότητα πρόκλησης σοβαρού ατυχήματος.

3. Καλώδιο προέκτασης

Όταν ο χώρος εργασίας βρίσκεται μακριά από την παροχή ρεύματος, χρησιμοποιήστε ένα καλώδιο προέκτασης με κατάλληλο πάχος και ικανότητα μεταφοράς ρεύματος. Το καλώδιο προέκτασης πρέπει να είναι τόσο κοντό όσο είναι πρακτικά δυνατό.

4. Εγκαταστήστε το μηχάνημα σε ένα οριζόντιο και επίπεδο χώρο και διατηρήστε το σε σταθερή κατάσταση. Πριν την αποστολή το εργαλείο υπόκειται ένα εντατικό έλεγχο στο εργοστάσιο, για την αποφυγή ηλεκτροπληξίας κατά την λειτουργία.

- Επειδή τα κινητά τμήματα είναι στερεωμένα από την τάση της αλυσίδας όταν αυτή κινείται, αφαιρέστε την αλυσίδα από το σημείο που είναι στερεωμένη, πιέζοντας ελαφρά τη λαβή διακόπτη.
- Βεβαιώστε ότι όλοι οι τροχοί κοπής είναι σε άριστη κατάσταση, και ότι δεν εμφανίζουν παραμορφώσεις και ραγίσματα.
- Παρότι έχουν πλήρως σφικτεί στο εργοστάσιο πριν τη μεταφορά, επανασφίξτε τα μπουλόνια σύνδεσης γερά για ασφάλεια.
- Πιθανά ατυχήματα όπως το σπάσιμο ενός τροχού κοπής αποφεύγονται μέσω αυτού του προστατευτικού καλύμματος (κάλυμμα τροχού). Παρότι έχει σφικτεί στο εργοστάσιο πριν την αποστολή, επανασφίξτε γερά τις βίδες στερέωσης για ασφάλεια.
- Κατά την αντικατάσταση του τροχού κοπής, εξασφαλίστε ότι ο αντικαταστάτης του τροχού κοπής είναι σχεδιασμένος για περιφερειακή ταχύτητα πάνω από 4800 m/min.
- Εξασφαλίστε ότι το κλειδί μπουλονιού που χρησιμοποιείται για το σφίξιμο και την αφαίρεση του τροχού κοπής δεν είναι συνδεδεμένο στο μηχάνημα.
- Ελέγξτε ότι το αντικείμενο εργασίας είναι υποστηριγμένο κατάλληλα. Εξασφαλίστε ότι το υλικό είναι γερά στερεωμένο με τη μέγγενη. Αν δεν είναι, ένα σοβαρό ατύχημα μπορεί να προκληθεί αν το υλικό ξεσφίξει ή αν ο τροχός κοπής σπάσει κατά την λειτουργία.
- Εξασφαλίστε ότι ο λειαντικός τροχός είναι σωστά στερεωμένος και σφικμένος πριν από την χρήση και λειτουργήστε το μηχάνημα χωρίς φορτίο για 30 δευτερόλεπτα σε μια ασφαλή θέση, σταματήστε αμέσως αν υπάρξει σημαντική δόνηση ή αν διαπιστωθούν άλλα ελαττώματα. Αν αυτές οι καταστάσεις συμβούν, ελέγξτε το μηχάνημα για να προσδιορίσετε την αιτία.
- Περιστρέψτε τον τροχό κοπής και επιθεωρήστε αν υπάρχει κάποια επιφανειακή παρέκκλιση. Μια μεγάλη παρέκκλιση θα προκαλέσει την μετακίνηση του τροχού κοπής.
- Εξασφαλίστε ότι τα ανοίγματα αερισμού είναι καθαρά όταν εργάζεστε σε συνθήκες σκόνης. Αν είναι απαραίτητο να καθαρίσετε την σκόνη, πρώτα αποσυνδέστε το μηχάνημα από την παροχή ρεύματος.

ΔΙΑΔΙΚΑΣΙΕΣ ΚΟΠΗΣ

ΠΡΟΣΟΧΗ

Είναι επικίνδυνο να αφαιρέσετε ή να εγκαταστήσετε το αντικείμενο εργασίας όταν ο τροχός κοπής περιστρέφεται.

1. Λειτουργία Διακόπτη

Ο διακόπτης μπαίνει σε λειτουργία τραβώντας με το χέρι τη σκανδάλη και σταματά ελευθερώνοντας την σκανδάλη στην αρχική της θέση. Ο διακόπτης δεν θα λειτουργήσει εκτός και αν το στόπερ σπρωχθεί προς τα μέσα.

2. Κοπή

(1) Περιστρέψτε τον τροχό κοπής, προσεκτικά πιέστε προς τα κάτω τη λαβή, και φέρτε τον τροχό κοπής κοντά στο υλικό που πρόκειται να κοπεί.

- Όταν ο τροχός κοπής έρθει σε επαφή με το υλικό που πρόκειται να κοπεί, προσεκτικά πιέστε κάτω τη λαβή για να αρχίσετε την κοπή.
- Όταν η κοπή (ή καθορισμένη εγκοπή) ολοκληρωθεί, ανυψώστε τη λαβή και επαναφέρετε την στην αρχή της θέσης.
- Στον τερματισμό της κάθε διαδικασίας κοπής, κλείστε OFF τον διακόπτη για να σταματήσετε την περιστροφή και προχωρήστε με την επόμενη εργασία κοπής.

ΠΡΟΣΟΧΗ

Δεν γίνεται απαραίτητη η κοπή γρηγορότερη αν ασκήσετε περισσότερη δύναμη στη λαβή. Η υπερβολική δύναμη στη λαβή θα ασκήσει υπερβολική πίεση στο μοτέρ και θα ελαττώσει την ικανότητά του.

Μην αμελήσετε να κλείσετε OFF τον διακόπτη μετά την ολοκλήρωση της εργασίας και να βγάλετε την πρίζα.

ΣΥΝΑΡΜΟΛΟΓΗΣΗ ΚΑΙ ΑΠΟΣΥΝΑΡΜΟΛΟΓΗΣΗ ΤΟΥ ΤΡΟΧΟΥ ΚΟΠΗΣ

1. Αποσυναρμολόγηση του τροχού κοπής (Εικ. 2)

(1) Πατήστε το στόπερ και ξεσφίξτε το μπουλόνι με το εξαγ. κλειδί Άλεν.

ΠΡΟΣΟΧΗ

Όταν ο άξονας στερέωσης του τροχού κοπής δεν μπορεί να στερεωθεί πατώντας το στόπερ, περιστρέψτε το μπουλόνι με ένα εξαγ. κλειδί Άλεν καθώς πιέζετε το στόπερ. Ο άξονας στερέωσης του τροχού είναι στερεωμένος όταν το στόπερ είναι χαμηλωμένο.

(2) Αφαιρέστε το μπουλόνι, τη ροδέλα (A), και την ροδέλα του τροχού και αποσυνδέστε τον τροχό κοπής.

2. Συναρμολόγηση του τροχού κοπής

Αφαιρέστε καλά την σκόνη από τις ροδέλες του τροχού και το μπουλόνι και μετά στερεώστε τον τροχό ακολουθώντας τις διαδικασίες αποσυναρμολόγησης αντίστροφα. Βεβαιωθείτε να συνδέσετε το κάτω-κάλυμμα στο τέλος.

ΠΡΟΣΟΧΗ

Επιβεβαιώστε ότι το στόπερ το οποίο χρησιμοποιήθηκε για την εγκατάσταση και την αφαίρεση του τροχού κοπής έχει επιστρέψει στην θέση επανάτασης.

ΠΩΣ ΝΑ ΤΟ ΛΕΙΤΟΥΡΓΗΣΕΤΕ

1. Διαδικασία για την στερέωση του υλικού κοπής (Εικ. 8 και 9)

Τοποθετήστε το αντικείμενο εργασίας ανάμεσα στην μέγγενη (A) και την μέγγενη (B), ανυψώστε το συμπλέκτη και σπρώξτε τη λαβή βίδα για φέρετε την μέγγενη (A) σε απλή επαφή με το αντικείμενο εργασίας, όπως φαίνεται στην Εικ. 8.

Μετά στρέψτε το συμπλέκτη προς τα κάτω, και στερεώστε γερά το αντικείμενο εργασίας στη θέση του στρέφοντας την λαβή βίδα. Όταν η εργασία κοπής ολοκληρωθεί, στρέψτε την λαβή βίδα 2 ή 3 φορές για να ξεσφίξετε την μέγγενη, και αφαιρέστε το αντικείμενο εργασίας, όπως φαίνεται στην Εικ. 9.

ΠΡΟΣΟΧΗ

Ο τροχός συνεχίζει να περιστρέφεται μετά το σβήσιμο του μηχανήματος.

Ποτέ να μην αφαιρέσετε ή να εγκαταστήσετε το αντικείμενο εργασίας όταν ο τροχός κοπής περιστρέφεται, για να αποφύγετε τον προσωπικό τραυματισμό.

Τα μακριά αντικείμενα εργασίας θα πρέπει να υποστηρίζονται με τεμάχια από μη εύφλεκτο υλικό και από τις δύο πλευρές έτσι ώστε να είναι στο ίδιο επίπεδο με την κορυφή της βάσης.

2. Κοπή σε γωνίες (Εικ. 3 και 4)

(1) Το μηχάνημα επιτρέπει την κοπή κατά γωνίες 45° ή 60°.

(2) Ξεσφίξετε τα δυο M10 μπουλόνια με εξάγωνη κοίλη κεφαλή στη μέγερη (B), μετά τοποθετήστε την επιφάνεια εργασίας στα σαγόνια της μέγερης σε οποιαδήποτε από τις γωνίες 0°, 30°, ή 45° όπως φαίνεται στην **Εικ. 4**. Μετά την ολοκλήρωση της τοποθέτησης, σφίξετε γερά τα δυο 10 mm μπουλόνια.

(3) Όταν πλατιά υλικά κόβονται σε γωνία, θα στερεωθούν γερά στερεώνοντας ένα ασάλινο πλαίσιο όπως στην **Εικ. 5** πάνω στη μέγερη (B).

3. Μετακίνηση του στατικού σαγονιού της μέγερης (Εικ. 6)

Το άνοιγμα της μέγερης ρυθμίζεται στο μέγιστο των 170 mm κατά την αποστολή από το εργοστάσιο. Στην περίπτωση που απαιτείται ένα άνοιγμα μεγαλύτερο των 170 mm, μετακινήστε την μέγερη στη θέση που δείχνεται από την διακεκομμένη γραμμή μετά το ξεβίδωμα των δυο μπουλονιών. Το μέγιστο άνοιγμα μπορεί να ρυθμιστεί σε δυο βαθμίδες 205 mm και 240 mm. Όταν το υλικό που πρόκειται να κοπεί είναι υπερβολικά μεγάλο, η μέγερη μπορεί να χρησιμοποιηθεί αποτελεσματικά αναποθετώντας την στατική πλευρά των σαγονιών της μέγερης.

4. Πώς να χρησιμοποιήσετε το μεταλλικό τεμάχιο (Εικ. 7)

Όταν ο τροχός κοπής έχει μειωμένη εξωτερική διάμετρο, βάλτε ανάμεσα στην μέγερη (A) και (B) ένα μεταλλικό τεμάχιο λίγο μικρότερο από την διάσταση του αντικειμένου εργασίας που κόβεται για να γίνει η χρήση του τροχού κοπής πιο οικονομική.

ΣΥΝΤΗΡΗΣΗ ΚΑΙ ΛΕΓΧΟΣ**ΠΡΟΣΟΧΗ**

Σιγουρευτείτε να κλείσετε το διακόπτη και να βγάλετε το βύσμα από την πρίζα παροχής ρεύματος πριν την συντήρηση και την επιθεώρηση.

1. Αντικατάσταση του τροχού κοπής

Όταν ο τροχός κοπής καταστεί υπερβολικά αμβλύς κατά την συνεχή χρήση, περιττό φορτίο λαμβάνεται από το μοτέρ. Κατά συνέπεια, επανορθώστε ή αντικαταστήστε ένα αμβλύ τροχό κοπής για να διασφαλίσετε την λειαντική ικανότητα.

2. Έλεγχος στα καρβουνάκια (Εικ. 10)

Το Μοτέρ χρησιμοποιεί καρβουνάκια τα οποία είναι αναλώσιμα μέρη. Όταν φθαρούν ή όταν φθάσουν κοντά στο “όριο φθοράς”, μπορεί να προκληθεί πρόβλημα στο μοτέρ. Όταν παρασχεθεί ένα καρβουνάκι αυτόματα διακοπής, το μοτέρ θα σταματήσει αυτόματα.

Σε αυτή τη χρονική στιγμή, αντικαταστήστε και τα δυο καρβουνάκια με καινούργια τα οποία έχουν τους ίδιους Αριθμούς Άνθρακα που φαίνονται στην εικόνα. Επιπρόσθετα, πάντοτε κρατάτε τα καρβουνάκια καθαρά και εξασφαλίστε ότι ολισθαίνουν ελεύθερα ανάμεσα στις θήκες.

3. Έλεγχος των διδών στερέωσης

Ελέγχετε περιοδικά όλες τις βίδες στερέωσης και βεβαιωθείτε ότι είναι κατάλληλα σφιγμένες. Στην περίπτωση που χαλαρώσει οποιαδήποτε βίδα σφίξτε την ξανά αμέσως. Αν δεν το κάνετε αυτό μπορεί να έχει ως αποτέλεσμα το σοβαρό τραυματισμό.

4. Λίπανση

Βάλετε λάδι στα ακόλουθα σημεία παροχής λαδιού μια φορά το μήνα για να διατηρήσετε το μηχάνημα σε λειτουργική κατάσταση για μεγάλο χρονικό διάστημα (Δείτε **Εικ. 1**).

- Περιστροφικό τμήμα του άξονα
- Περιστροφικό τμήμα της μέγερης
- Ολισθαίνων τμήμα της μέγερης (A)

5. Καθάρισμα

Σκουπίστε γρέζια και βρομιά που είναι συσσωρευμένα στο μηχάνημα με ένα ύφασμα ή κάτι παρόμοιο περιοδικά. Δώστε προσοχή να μην βρέξετε το τμήμα του μοτέρ με λάδι ή νερό.

6. Βλάβες στο μηχάνημα, συμπεριλαμβανομένων στους προφυλακτές ή στις λάμες κοπής, πρέπει να αναφέρονται το συντομότερο δυνατό μετά την εξακρίβωσή τους.**7. Λίστα συντήρησης των μερών****ΠΡΟΣΟΧΗ**

Η επισκευή, η τροποποίηση και ο έλεγχος των Ηλεκτρικών Εργαλείων Hitachi πρέπει να γίνεται από ένα Εξουσιοδοτημένο κέντρο σέρβις της Hitachi.

Αυτή η Λίστα των Μερών θα είναι χρήσιμη αν παρουσιαστεί μαζί με το εργαλείο στο εξουσιοδοτημένο Κέντρο Σέρβις της Hitachi όταν ζητάτε επισκευή ή κάποια άλλη συντήρηση.

Κατά τον έλεγχο και τη συντήρηση των ηλεκτρικών εργαλείων, οι κανόνες ασφαλείας και οι κανονισμοί που υπάρχουν σε κάθε χώρα πρέπει να ακολουθούνται.

ΤΡΟΠΟΠΟΙΗΣΗ

Τα Ηλεκτρικά Εργαλεία Hitachi βελτιώνονται συνεχώς και τροποποιούνται για να συμπεριλάβουν τις τελευταίες τεχνολογικές προόδους.

Κατά συνέπεια, ορισμένα τμήματα μπορούν να αλλάξουν χωρίς προηγούμενη ειδοποίηση.

ΣΗΜΕΙΩΣΗ

Εξαιτίας του συνεχιζόμενου προγράμματος έρευνας και ανάπτυξης της Hitachi τα τεχνικά χαρακτηριστικά που εδώ αναφέρονται μπορούν να αλλάξουν χωρίς προηγούμενη ειδοποίηση.

Πληροφορίες που αφορούν τον αερομεταφερόμενο θόρυβο και την δόνηση

Οι μετροημένες τιμές καθορίστηκαν σύμφωνα με το EN61029.

Ένα τυπικό επίπεδο ηχητικής πίεσης A: 97 dB (A)

Ένα τυπικό επίπεδο ηχητικής ισχύος A: 109 dB (A)

Φοράτε προστατευτικά αυτιών.

Μια τυπική τιμή ρίζας μέσης τετραγωνικής επιτάχυνσης:
1,2 m/s²

- Πληροφορίες για το σύστημα παροχής ρεύματος ονομαστικής τάσης 230 V~

Κάτω από δυσμενείς συνθήκες του δικτύου παροχής, αυτό το ηλεκτρικό εργαλείο μπορεί να προκαλέσει προσωρινές πτώσεις της τάσης ή παρεμβολή μέσω διακυμάνσεις στην τάση.

Αυτό το ηλεκτρικό εργαλείο προορίζεται για σύνδεση σε σύστημα παροχής ρεύματος με μέγιστη επιτρεπτή σύνθετη αντίσταση Z_{MAX} των 0,14 Ohm στο διασυνδεδετικό σημείο (κουτί ρεύματος) της παροχής του χρήστη.

Ο χρήστης πρέπει να εξασφαλίσει ότι το ηλεκτρικό εργαλείο είναι συνδεδεμένο μόνο σε σύστημα παροχής ρεύματος που πληρεί την παραπάνω απαίτηση.

Αν είναι απαραίτητο, ο χρήστης μπορεί να αποταθεί στην εταιρεία παροχής ηλεκτρικού ρεύματος για την σύνθετη αντίσταση του συστήματος στο διασυνδεδετικό σημείο.

- Πληροφορίες για το διακόπτη διακοπής του κυκλώματος ονομαστικής τάσης 230 V~

Αυτό το εργαλείο πρέπει να χρησιμοποιείται μόνο αν είναι συνδεδεμένο σε μια 16 A Αντίσταση με χαρακτηριστικό αποσύνδεσης gl.

PODSTAWOWE ŚRODKI OSTROŻNOŚCI

UWAGA! Podczas używania narzędzi elektrycznych należy przestrzegać podstawowych środków ostrożności w celu zmniejszenia ryzyka pożaru, porażenia prądem oraz zranienia, w tym następujących punktów.

Przeczytaj instrukcję zanim przystąpisz do użytkowania narzędzia i zachowaj tę instrukcję.

W celu zachowania bezpieczeństwa użytkownika:

1. Miejsce pracy należy utrzymywać w czystości. Zaśmiecone stanowiska pracy i stoły warsztatowe mogą być przyczyną obrażeń.
2. Należy uwzględniać warunki środowiska pracy. Narzędzia elektryczne nie mogą być narażone na działanie deszczu i wilgoci. Miejsce pracy powinno być dobrze oświetlone. Nie używaj narzędzi elektrycznych w pobliżu łatwopalnych cieczy lub gazów ani tam gdzie mogłyby spowodować pożar lub wybuchnąć.
3. Strzeż się porażenia prądem. Unikaj kontaktu cielesnego z uziemionymi powierzchniami (jak np. rury, kaloryfery, lodówki i piecyki).
4. Trzymaj z daleka od dzieci. Nie pozwól odwiedzającym dotknąć narzędzia lub kabla. Odwiedzający powinni trzymać się z daleka od miejsca pracy.
5. Chowaj nieużywane narzędzia. Kiedy nie są w użytku, narzędzia powinny być przechowywane w suchym, zamkniętym miejscu lub kładzione wysoko, tam, gdzie nie dosięgną ich dzieci.
6. Nie wywieraj zbyt mocnego nacisku na narzędzia. Działa ono najlepiej i najbezpieczniej, gdy przestrzegana jest instrukcja użycia.
7. Używaj właściwego narzędzia. Nie używaj małych narzędzi lub dodatków do wykonywania pracy przeznaczonej dla narzędzi większych. Nie używaj narzędzi w celach, do których nie były przeznaczone, jak np. nie używaj piły tarczowej do ścinania gałęzi lub pni.
8. Noś odpowiedni ubiór. Nie noś luźnego ubrania lub biżuterii, mogą się one bowiem wkręcić w ruchome części maszyn. W czasie pracy na zewnątrz zalecane jest używanie gumowych rękawic i nieślizgającego się obuwia. Noś nakrycie głowy, by zabezpieczyć długie włosy.
9. Używaj okularów ochronnych. Używaj maski na twarz, by zabezpieczyć się jeżeli w czasie pracy występuje dużo kurzu.
10. Używaj pochłaniaczy kurzu. Jeśli istnieje możliwość podłączenia pochłaniaczy kurzu, upewnij się, że są one podłączone i poprawnie używane.
11. Nie niszcz kabla. Nigdy nie noś narzędzia trzymając je za kabel i nie ciągnij za kabel, by rozłączyć urządzenie. Trzymaj kabel z daleka od gorąca, oleju, i ostrych narzędzi.
12. Pracuj bezpiecznie. Używaj zacisków lub imadła by trzymać w miejscu przedmioty. Jest to bezpieczniejsze, niż używanie do tego rąk i pozwala na użycie obu rąk do trzymania narzędzi.
13. Nie pochylaj się nad narzędziem. Zawsze zachowuj balans i równowagę.
14. Dbaj o narzędzia. Utrzymuj narzędzia tak, by były ostre i czyste i by lepiej i sprawniej funkcjonowały. Przestrzegaj instrukcji w smarowaniu i wymianie akcesoriów. Sprawdzaj okresowo kable narzędzi i

jeśli są one uszkodzone, zanoś do naprawy w autoryzowanym centrum napraw. Sprawdzaj co pewien czas przedłużacze i wymieniaj je, gdy są uszkodzone. Dbaj, by uchwyty narzędzi były czyste i suche i wolne od tłuszczu i smaru.

15. Rozłączaj narzędzia gdy nie są w użytku, przed naprawami i podczas wymiany akcesoriów takich jak ostrza, wiertła i przecinaki.
16. Zdejmuj klucze i narzędzia regulujące. Wyrób sobie zwyczaj sprawdzania czy klucze i narzędzia regulujące są zdjęte z narzędzi przed ich uruchomieniem.
17. Unikaj przypadkowego włączenia. Nie noś narzędzia z palcem na włączniku w czasie, gdy jest ono włączone do prądu. Upewnij się, że przycisk jest wyłączony zanim włączysz narzędzie do prądu.
18. Używaj przedłużaczy przeznaczonych do użytku na zewnątrz. Kiedy narzędzie jest używane na zewnątrz używaj wyłącznic przedłużaczy do użytku zewnętrznego.
19. Zachowaj ostrożność. Zwracaj uwagę na to, co robisz. Kieruj się rozsądkiem. Nie używaj narzędzi, gdy jesteś zmęczony.
20. Sprawdzaj uszkodzone części. Przed ponownym użyciem narzędzia osłona lub inna uszkodzona część powinna być uważnie sprawdzona, by upewnić się, że będzie ona poprawnie funkcjonować i wykona zamierzoną czynność. Sprawdź ustawienie ruchomych części a także czy poruszają się one bez przeszkód, sprawdź także uszkodzenia, umocowanie i inne czynniki mogące wpłynąć na sprawne działanie narzędzia. Osłona lub inna uszkodzona część powinna być naprawiona lub wymieniona w autoryzowanym centrum napraw lub według zaleceń zawartych w instrukcji. Wymień uszkodzone przełączniki w autoryzowanym centrum napraw. Nie używaj narzędzia jeśli nie działa wyłącznik.
21. Uwaga
Używanie akcesoriów lub dodatków, które nie są zalecane w instrukcji może grozić ryzykiem odniesienia obrażeń.
22. Naprawiaj narzędzie u wykwalifikowanego fachowca. To narzędzie spełnia określone wymogi bezpieczeństwa. Naprawy powinny być wykonywane tylko przez wykwalifikowanych fachowców używających oryginalnych części zastępczych. W innym przypadku może grozić to niebezpieczeństwem dla użytkownika.

ŚRODKI OSTROŻNOŚCI PRZY PRACY Z PRZECINARKĄ

- Przed przystąpieniem do pracy należy dokładnie sprawdzić tarczę tnącą - nie używać tarcz wyszczerbionych lub uszkodzonych w jakikolwiek inny sposób. Przed przystąpieniem do właściwej pracy uruchomić przecinarkę na pewien czas, aby sprawdzić, czy pracuje prawidłowo.
- Należy używać zwykłych tarcz tnących na normalnych powierzchniach roboczych.
- Zabezpieczyć się przed iskrami powstającymi podczas pracy.
- W odpowiedni sposób wymieniać tarcze tnące.
- Zawsze zwracać uwagę, aby elementy mocujące tarczę tnącą nie były w jakikolwiek sposób uszkodzone. Uszkodzone części mogą spowodować uszkodzenie tarczy tnącej.
- Upewnić się, że w przecinanym materiale nie znajdują się ciała obce, takie jak gwoździe.
- Należy używać wyłącznie tarcz tnących zalecanych przez producenta, o prędkości roboczej co najmniej równej prędkości określonej na tabliczce znamionowej urządzenia.
- Tarcze ściernie powinny być przechowywane i traktowane z ostrożnością, zgodnie z zaleceniami producenta.
- Upewnić się, że tarcza założona została zgodnie z zaleceniami producenta.
- Nie należy używać urządzenia bez założonej osłony.
- Nie piłować ostrza.
- Nie używać urządzenia w miejscu zagrożonym eksplozją oraz tam, gdzie iskry mogą spowodować pożar, wybuch itd.

DANE TECHNICZNE

Napięcie (w zależności od miejsca)*		(110V, 115V, 120V, 127V) \surd	(230V, 240V) \surd
Moc pobierana		1640 W*	2000 W*
Maks. wymiary przecinania Wysokość \times szerokość	90°	115 mm \times 130 mm	70 mm \times 235 mm
	45°	100 mm \times 106 mm	
Tarcza tnąca		\varnothing 355 \times \varnothing 25,4 \times 4 mm (Tarcza tnąca utwardzona rezinoidem)	
Prędkość obrotowa bez obciążenia		3800 min ⁻¹	
Maks. obwodowa prędkość robocza		4800 m/min	
Waga		17 kg	

*Sprawdź nazwę produktu, jako że ulega ona zmianie w zależności od miejsca zakupu.

WYPOSAŻENIE STANDARDOWE

- (1) Tarcza tnąca 1
 (2) Klucz sześciokątny 1

ZASTOSOWANIE

Przecinanie różnych przedmiotów metalowych, jak na przykład rury, okrągłe pręty, stal kształtowana i płyty sidingowe.

PRZED UŻYCIEM

- Źródło mocy**
Upewnij się, że źródło mocy jest zgodne z wymogami mocy zaznaczonymi na tabliczce znamionowej.
- Wyłącznik sieciowy**
Upewnij się, że wyłącznik jest wyłączony (pozycja OFF).
Jeśli wtyczka jest włączona do sieci podczas gdy wyłącznik jest włączony (pozycja ON), narzędzie zacznie działać natychmiast, co może spowodować poważny wypadek.
- Przedłużacz**
Kiedy miejsce pracy znajduje się daleko od źródła prądu, użyj przedłużacza o odpowiedniej grubości i mocy. Przedłużacz powinien być najkrótszy jak tylko jest to możliwe.
- Urządzenie powinno zostać ustawione na stabilnej, płaskiej, równej powierzchni. Przed wysyłką urządzenie przechodzi w fabryce rygorystyczną kontrolę, mającą na celu usunięcie ryzyka porażenia prądem elektrycznym podczas pracy.
- Części ruchome zabezpieczone są w transporcie za pomocą naprężonego łańcucha - przed przystąpieniem do pracy należy zdjąć łańcuch z haczyka, lekko naciskając uchwyt.
- Upewnić się, że wszystkie tarcze tnące znajdują się w doskonałym stanie i nie posiadają rys lub pęknięć.
- Mimo że zostały one umocowane fabrycznie, przed przystąpieniem do pracy należy sprawdzić zamocowanie śrub mocujących.
- Oslona (oslona tarczy) stanowi zabezpieczenie przed obrażeniami ciała, na przykład w przypadku odłamania kawałka tarczy tnącej. Mimo że zostały one umocowane fabrycznie, przed przystąpieniem do pracy należy sprawdzić zamocowanie śrub mocujących.
- Podczas wymiany tarczy tnącej upewnij się, że nowo zakładana tarcza posiada znamionową prędkość obwodową przekraczającą 4800 m/min.
- Upewnij się, że klucz wykorzystywany do mocowania lub zdejmowania tarczy tnącej nie pozostał w urządzeniu.

11. Sprawdzić, czy przecinany przedmiot jest właściwie zamocowany. Przecinany przedmiot powinien być dobrze zamocowany w imadle. Nieodpowiednie zamocowanie może być przyczyną poważnego wypadku, jeżeli przecinany przedmiot wypadnie lub tarcza tnąca złamie się podczas pracy.
12. Przed przystąpieniem do pracy upewnić się, że tarcza ścierna jest właściwie zamocowana i uruchomić urządzenie bez obciążenia na 30 s w bezpiecznym położeniu. Natychmiast zatrzymać urządzenie w przypadku zauważenia dużych drgań lub innych uszkodzeń. W takim przypadku należy dokładnie zbadać urządzenie, aby poznać przyczynę.
13. Obrócić tarczę tnącą, aby sprawdzić, czy nie posiada jakichkolwiek widocznych uszkodzeń. Poważne wygięcie spowoduje nierówną pracę tarczy.
14. Jeżeli urządzenie pracuje w otoczeniu zapyłonym, upewnić się, że otwory wentylacyjne są czyste. Jeżeli konieczne jest usunięcie nagromadzonego pyłu, należy najpierw wyłączyć urządzenie z prądu.

PRZECINANIE

UWAGA

Wycinanie lub zakładanie obrabianego przedmiotu, kiedy tarcza tnąca się obraca, jest niebezpieczne.

1. Włączanie i wyłączenie

Urządzenie włączane jest ręcznie poprzez naciśnięcie przycisku spustowego i zatrzymywane poprzez jego zwolnienie do położenia początkowego. Przycisk nie będzie działał, jeżeli nie została wciśnięta blokada.

2. Przecinanie

- (1) Przy obracającej się tarczy tnącej delikatnie docisnąć uchwyt i przybliżyć tarczę do przecinanego przedmiotu.
- (2) Kiedy tarcza tnąca dotknie przecinanego materiału, dalej delikatnie docisnąć tarczę i rozpocząć przecinanie.
- (3) Po zakończeniu przecinania (nacinania) podnieść uchwyt i przywrócić go do położenia początkowego.
- (4) Po zakończeniu każdej operacji przecinania zwolnić przycisk, aby tarcza całkowicie przestała się obracać, a dopiero potem przystąpić do kolejnej pracy.

UWAGA

Przyciskanie uchwyty z większą siłą niekoniecznie skraca czas przecinania.

Zbyt mocne dociskanie uchwyty może spowodować nadmierne obciążenie silnika i zmniejszenie jego wydajności.

Po zakończeniu pracy należy zwolnić przycisk i wyłączyć urządzenie z prądu.

ZAKŁADANIE I ZDEJMOWANIE TARCZY TNĄCEJ

1. Zdejmowanie tarczy tnącej (Rys. 2)

- (1) Nacisnąć blokadę i odkręcić śrubę za pomocą klucza sześciokątnego.

UWAGA

Jeżeli wałek mocujący tarczy tnącej nie może zostać zamocowany poprzez naciśnięcie blokady, należy przekręcić śrubę za pomocą klucza sześciokątnego, dociskając równocześnie blokadę. Wałek mocujący tarczy tnącej może zostać zamontowany po obniżeniu blokady.

- (2) Odkręcić śrubę, podkładkę (A) i podkładkę tarczy tnącej, a następnie zdjąć tarczę.

2. Zakładanie tarczy tnącej

Dokładnie oczyścić z kurzu podkładki i śrubę mocującą tarczy tnącej, a następnie założyć tarczę wykonując powyższe czynności w odwrotnej kolejności. Na zakończenie założyć osłonę.

UWAGA

Upewnić się, że blokada wykorzystywana do założenia lub zdjęcia tarczy tnącej została przywrócona do pozycji początkowej.

PRACA Z URZĄDZENIEM

1. Mocowanie przecinanego materiału (Rys. 8 i 9)

Umieścić przecinany przedmiot pomiędzy imadłem (A) i imadłem (B), podnieść sprzęgło i przesunąć uchwyt ze śrubą, tak aby imadło (A) lekko dotknęło materiału, jak pokazano na Rys. 8.

Następnie przesunąć sprzęgło w dół i zamocować przecinany materiał, obracając uchwytem ze śrubą. Po zakończeniu pracy przekręcić uchwyt ze śrubą o 2-3 obroty, aby poluzować imadło i wyjąć materiał, jak pokazano na Rys. 9.

UWAGA

Po wyłączeniu urządzenia tarcza tnąca obraca się jeszcze przez pewien czas.

Nie należy nigdy wycimować lub zakładać przecinanego przedmiotu, kiedy tarcza tnąca się obraca - może to spowodować obrażenia ciała.

Długie przedmioty powinny zostać z obu stron podparte wspornikami z niepalnego materiału, tak aby ich końcówki znajdowały się na tej samej wysokości co szczyt podstawy.

2. Przecinanie pod kątem (Rys. 3 i 4)

- (1) Urządzenie umożliwia przecinanie pod kątem 45° lub 60°.
- (2) Odkręcić dwa wkręty z łbem sześciokątnym M10 imadła (B), następnie ustawić powierzchnię roboczą na szczęce imadła pod kątem 0°, 30° lub 45°, jak pokazano na Rys. 4. Po dokonaniu ustawienia mocno dokręcić dwie śruby 10 mm.

- (3) Kiedy materiał o dużej szerokości ma zostać przecięty pod kątem, należy zamocować go do imadła (B) za pomocą płyty stalowej, jak pokazano na Rys. 5.

3. Przemieszczanie nieruchomej szczęki imadła (Rys. 6)

Przed wysylką z fabryki rozwarcie imadła ustawione jest na maksymalną szerokość 170 mm. Jeżeli wymagana jest szerokość przekraczająca 170 mm, należy przestawić imadło do położenia pokazanego linią punktową, odkręcając wcześniej dwie śruby mocujące. Rozwarcie maksymalne może zostać ustawione na 205 mm lub 240 mm. Jeżeli przecinany przedmiot jest bardzo szeroki, imadło może zostać wykorzystane dzięki przesunięciu nieruchomej szczęki.

4. Korzystanie z metalowego klocka (Rys. 7)

Jeżeli tarcza tnąca posiada zmniejszoną średnicę zewnętrzną, pomiędzy imadło (A) i (B) należy włożyć metalowy klocek o wymiarach nieco mniejszych od wymiarów przecinanego przedmiotu - wówczas tarcza tnąca może zostać w pełni wykorzystana.

KONSERWACJA I KONTROLA

UWAGA

Przed przystąpieniem do jakichkolwiek prac kontrolnych lub konserwacyjnych należy upewnić się, że urządzenie zostało wyłączone z prądu.

1. Wymiana tarczy tnącej

Użycie stępionej tarczy tnącej może spowodować nadmierne obciążenie silnika. Aby zapewnić prawidłową pracę urządzenia, należy naostrzyć lub wymienić tarczę tnącą.

2. Sprawdzanie szczotek węglowych (Rys. 10)

Silnik wyposażony jest w szczoteczki węglowe, które ulegają stopniowemu zużyciu. Jeśli szczoteczki osiągną poziom zużycia bliski lub równy „granicy zużycia”, mogą spowodować uszkodzenie silnika. Jeśli urządzenie wyposażone jest w szczoteczkę węglową z funkcją automatycznego wyłączenia, silnik zatrzyma się samoczynnie.

W takiej sytuacji, obie szczoteczki węglowe należy wymienić na nowe o takiej samej numeracji, jak pokazana na rysunku. Dodatkowo, szczoteczki węglowe należy utrzymywać w czystości i dbać o to, aby swobodnie mogły poruszać się w obsadkach szczotkowych.

3. Sprawdzanie śrub mocujących

Regularnie sprawdzaj wszystkie mocujące śruby i upewnij się, że są mocno przykręcone. Jeśli któraś z nich się obluzuje, natychmiast ją przykręć. Zaniedbanie tego może spowodować poważne zagrożenie.

4. Smarowanie

Raz w miesiącu należy naoliwić wskazane miejsca urządzenia - pozwoli to zapewnić jego prawidłową pracę i przedłużyć okres eksploatacyjny (patrz **Rys. 1**).

Miejsca oliwienia

- Część obrotowa wałka
- Część obrotowa imadła
- Prowadnica imadła (A)

5. Czyszczenie

Od czasu do czasu należy oczyścić urządzenie z wiórów i odpadów za pomocą czystej szmatki. Uważać, aby do silnika nie dostał się olej lub woda.

6. Jakiegokolwiek uszkodzenia urządzenia, dotyczące na przykład osłony lub ostrzy tnących, powinny być zgłoszone natychmiast po ich znalezieniu.

7. Lista części zamiennych

UWAGA

Naprawy, modyfikacji i kontroli Narzędzi Elektrycznych Hitachi może dokonywać tylko Autoryzowane Centrum Obsługi Hitachi.

Ta lista części będzie przydatna, jeśli zostanie wręczona Autoryzowanemu Centrum Obsługi Hitachi, gdy zanieśmy narzędzie do naprawy lub przeglądu.

Podczas używania i konserwacji narzędzi elektrycznych należy przestrzegać przepisów i norm bezpieczeństwa danego kraju.

MODYFIKACJE

Narzędzia elektryczne Hitachi są ciągle ulepszone i modyfikowane w celu wprowadzania najnowszych osiągnięć nauki i techniki.

W związku z tym pewne części mogą ulec zmianom bez uprzedzenia.

UWAGA

W związku z prowadzonym przez HITACHI programem badań i rozwoju, specyfikacje te mogą się zmienić w każdej chwili bez uprzedzenia.

Informacja dotycząca poziomu hałasu i wibracji

Mierzone wartości były określone według EN61029

Typowy poziom dźwięku A: 97 dB (A)

Typowe natężenie dźwięku A: 109 dB (A)

Używaj ochraniacza uszu.

Typowa wartość skuteczna przyspieszenia wynosi: 1,2 m/s²

● Informacje o systemie zasilania prądem o napięciu znamionowym 230 V~

W przypadku niedostosowanej sieci elektrycznej, szlifierka kątowa może powodować wystąpienie *przejściowych spadków napięcia* lub *zakłóceń w zmian napięcia*.

Urządzenie jest przystosowane do zasilania prądem elektrycznym o maksymalnej dopuszczalnej impedancji Z_{MAX} 0,14 oma mierzonym w punkcie przyłączenia (skrzynka przyłączeniowa) lokalnego zasilania.

Użytkownik musi dopilnować, aby urządzenie było podłączane jedynie do źródła zasilania spełniającego powyższe warunki.

Jeśli zachodzi taka konieczność, użytkownik może sprawdzić impedancję systemu w miejscu przyłączenia użytkownika do lokalnej sieci energetycznej.

● Informacja dotycząca wyłącznika automatycznego o napięciu znamionowym 230 V~

Urządzenie powinno być używane wyłącznie z bezpiecznikiem 16 A o działaniu automatycznym.

ÁLTALÁNOS BIZTONSÁGTECHNIKAI ELŐÍRÁSOK

FIGYELEM! Az elektromos szerszámok használatakor a tűz, elektromos áramütés, valamint személyi sérülések veszélyének elkerülése érdekében mindig tartsa be az alábbi biztonságtechnikai előírásokat. A termék használatbavétele előtt olvassa el, majd őrizze meg mindezeket az utasításokat.

A biztonságos munkavégzés érdekében:

1. Tartsa tisztán a munkahelyét. A rendetlen munkahely illetve munkapad balesetveszélyt jelent.
2. Mérlegelje a munkahely jellemző tulajdonságait. Esőben ne hagyja kint az elektromos kéziszerszámokat. Ne használjon elektromos szerszámokat nedves, vagy páras környezetben. Gondoskodjék a munkahely jó megvilágításáról. Ne használja az elektromos szerszámokat olyan környezetben, ahol tűz vagy robbanás keletkezésének a veszélye áll fenn.
3. Védekezzen az áramütés ellen! Ügyeljen arra, hogy munka közben ne érintsen meg földelt felületeket (pl. csővezetéseket, fűtőtesteket, tűzhelyeket, hűtőberendezéseket).
4. A gyerekeket és felügyeletre szoruló személyeket tartsa távol az elektromos kéziszerszámoktól. Ne engedje, hogy illetéktelen személyek megérintsék az elektromos kéziszerszámot, vagy az elektromos csatlakozókábelt. A látogatókat távol kell tartani a munkaterülettől.
5. A használaton kívüli szerszámokat biztonságos, magasán fekvő, vagy elzárt helyen kell tárolni, ahol a gyerekek és felügyeletre szoruló személyek nem férhetnek hozzájuk.
6. Ne erőltesse a szerszámot. A tervezett teljesítménytartományban jobban és biztonságosabban dolgozzhat vele.
7. Mindig a megfelelő szerszámot használja! Nehéz munkához ne próbáljon kis teljesítményű készüléket, illetve tartozékokat alkalmazni. Ne használjon olyan szerszámot, amely nem a feladat elvégzésére való, pl. ne használjon kézi körfűrész gallyazásra vagy tűzifa feldarabolására.
8. Viseljen megfelelő munkaruhát! Munka közben ne hordjon bő öltözéket, és ne viseljen ékszereket, mert a szerszám mozgó alkatrészei elkapathatják azokat. Szabadban történő munkavégzéshez ajánlatos gumikesztyű és csúszásbiztos lábbeli viselése. Hosszú haj esetén viseljen a haját eltakaró fejedőt.
9. Használjon védőszemüveget! Poros munka végzésekor viseljen porvédő álarcot is.
10. Csatlakoztasson valamilyen porszivó berendezést. Ha a készülék rendelkezik porszivási, illetve -gyűjtési lehetőséggel, ügyeljen rá, hogy azok megfelelően legyenek csatlakoztatva és használva.
11. Ne rongálja az elektromos csatlakozókábelt. A kéziszerszámot soha ne hordozza a kábelnél fogva, és a villásdugót soha ne a kábelnél fogva húzza ki a dugaszolóaljzatból. Védje a kábelt a magas hőmérséklettől, olajtól és éles sarkaktól.
12. Biztonságosan rögzítse a munkadarabot! A munkadarab befogásához használjon valamilyen befogóeszközt. Ez egyrészt biztonságosabb, mintha saját kezét használná, másrészt így mindkét kezét használhatja a szerszám működtetéséhez.

13. Ne nyújtsa ki a kezét túl nagy távolságra. Munka közben mindig álljon stabilan, és őrizze meg az egyensúlyát.
14. Gondosan ápolja szerszámait! A tökéletesebb és biztonságosabb működés érdekében ügyeljen rá, hogy vágó- és fűrészszámai mindig élesek és tiszták legyenek. A kenés elvégzéséhez és a tartozékok cseréjéhez mindig tartsa be az előírásokat és a gép karbantartási és kezelési útmutatását. Rendszeresen ellenőrizze a csatlakozó kábelt, és ha sérülést talál, azt azonnal javíttassa ki az erre jogosult szervizzel. A hosszabbító kábeleket ugyancsak rendszeres időközönként ellenőrizze, és ha megsérült, cserélje ki. A fogantyúkat mindig tartsa szárazan és tisztán, olaj- vagy zsírszennyeződéstől mentesen.
15. Mindig húzza ki a dugaszoló aljzattól a csatlakozó dugót, ha nem használja a szerszámot, vagy ha tartozékokat, pl. fűrészlapot, fűrőfejet, illetve vágófejet cserél benne.
16. Mindig vegye ki a szerszámbeállító- illetve befogókulcsait! Mielőtt a gépet bekapcsolja, mindig ellenőrizze, hogy kivette-e a készülékből a szerszámbeállító- illetve befogókulcsot.
17. Kerülje el a gép véletlenszerű beindítását! Ha az elektromos kéziszerszám be van dugva a hálózati csatlakozóaljzatba, ne tartsa ujját az indító kapcsolón, ne hordozza így a készüléket. Mielőtt a csatlakozó dugót a dugaszolóaljzatba bedugja, mindig győződjék meg róla, hogy a készülék ki legyen kapcsolva.
18. Használjon szabadteri hosszabbítókábel! Ha a szabadban kell munkát végeznie, mindig csak az erre a célra alkalmas hosszabbító kábelt használjon.
19. Mindig figyeljen oda a végzett munkára! Az elektromos szerszámmal végzett munka teljes figyelmet igényel! Ne használja a készüléket, ha nem érzi kaphentnek magát.
20. Ellenőrizze, hogy nem sérült-e meg valamelyik alkatrész! A kéziszerszám további használata előtt ellenőrizze az esetlegesen megsérült védőeszközt vagy a szerszám egyéb alkatrészeit, hogy azok megfelelően fognak-e működni, illetve ellátják-e feladatukat. Ellenőrizze a mozgó alkatrészek beállításait, azok szabad mozgását, illetve esetleges sérüléseiket, valamint rögzítettségüket, továbbá a működésüket esetleg befolyásoló egyéb körülményeket. A sérült védőeszközt vagy egyéb alkatrészt kizárólag arra jogosult szervizközpont cserélheti ki, illetve javíthatja meg, hacsak az ebben a Kezelési utasításban másként nincs feltüntetve. A hibás kapcsolókat arra jogosult szervizközpontban kell kicserélni. Ne használja a szerszámot, ha a kapcsoló azt nem kapcsolja megfelelően be, illetve ki.
21. Figyelem!
A nem az ebben a Kezelési utasításban ajánlott tartozékok illetve alkatrészek használata személyi sérülés kockázatát jár!
22. A szerszámot csak szakképzett személlyel javíttassa! Ez az elektromos kéziszerszám elegendő tesz a vonatkozó biztonságtechnikai előírásoknak. Javításokat csak arra jogosult személyek végezhetnek, kizárólag eredeti alkatrészek felhasználásával. Ennek be nem tartása súlyos veszélyt jelent a szerszám használója számára.

ÓVINTÉZKEDÉSEK A FÉMDARABOLÓ GÉP HASZNÁLATÁVAL KAPCSOLATBAN

1. Használat előtt vizsgálja át a vágókorongokat, ne használjon csorba vagy egyéb módon hibás vágókorongokat. Használat előtt mindig végezzen próbafuttatást, hogy meggyőződjön róla, hogy a daraboló gépnek nincsenek rendellenességei.
2. Használja a normál daraboló korongot annak normál munkafelületén.
3. Védőfedél a darabolási szikrák ellen.
4. Helyesen cserélje ki a daraboló kereket.
5. Mindig figyeljen rá, hogy a darabolókorong befogó alkatrészei soha ne rongálódjanak meg. A hibás alkatrészek a darabolókorong sérülését okozzák.

6. Győződjön meg róla, hogy a munkadarab idegen anyagoktól, mint például szögektől mentes.
7. Csak a gyártó által javasolt vágókorongokat használjon, amelyeknek a jelzett sebessége egyenlő vagy nagyobb, mint a gép névtábláján jelzett sebessége.
8. A csiszolókorongokat elővigyázatosan kell tárolni és kezelni a gyártó utasítási szerint.
9. Győződjön meg róla, hogy a felszerelt korong illesztése a gyártó utasításai szerint történt.
10. Soha ne használja a gépet anélkül, hogy a védőlap a helyén lenne.
11. Ne fűrészeljen.
12. Ne használja a gépet robbanásveszélyes légkörben és olyan környezetben, ahol a szikrák tüzet, robbanást, stb. okozhatnak.

MŰSZAKI ADATOK

Feszültség (terület szerint)*		(110V, 115V, 120V, 127V) ∩	(230V, 240V) ∩
Névleges teljesítményfelvétel		1640 W*	2000 W*
Max. vágási méretek Magasság × szélesség	90°	115 mm × 130 mm	70 mm × 235 mm
	45°	100 mm × 106 mm	
Darabolókorong		ø355 × ø25,4 × 4 mm (Erősített gyantaszzerű darabolókorong)	
Üresjárat fordulatszám		3800 perc ⁻¹	
Max. üzemelési kerületi sebesség		4800 m/perc	
Súly		17 kg	

*Ne felejtse el ellenőrizni a típustáblán feltüntetett adatokat, mivel ezek eladási területenként változnak!

MŰSZAKI ADATOK

- (1) Darabolókorong 1
 (2) Imbuszkulcs 1

ALKALMAZÁSOK

Különbé fémes anyagok, mint például csövek, rúdanyagok, idomacél és deszkatáblák vágása.

AZ ÜZEMBEHELYEZÉS ELŐTTI TENNIVALÓK

1. Áramforrás

Ügyeljen rá, hogy a készülék adattábláján feltüntetett feszültség értéke megegyezzen az alkalmazni kívánt hálózati feszültséggel.

2. Hálózati kapcsoló

Ügyeljen rá, hogy a hálózati kapcsoló KI állásba legyen kapcsolva. Ha a csatlakozódugót úgy csatlakoztatja a dugaszolóaljzatba, hogy közben a hálózati kapcsoló BE állásban van, a kéziszerszám azonnal működésbe lép, ami súlyos balesetet idézhet elő.

3. Hosszabbító vezeték

Ha a munkaterület az áramforrástól távol található, akkor egy megfelelő keresztmetszetű és teljesítményű hosszabbító vezetékkel kell alkalmazni. A hosszabbító vezetéknek a lehető legrövidebbnek kell lennie.

4. A gépet egy vízszintes sík helyen szerelje fel és tartsa stabil állapotban. A szállítás előtt a berendezést szigorú gyári átvizsgálásnak vetik alá az áramütés megelőzéséhez az üzemelés során.

5. Mivel a mozgatható részeket szállítás alatt egy megfeszített lánc rögzíti, távolítsa el a láncot a láncakasztóról a kapcsoló fogantyú nyhke megnyomásával.
6. Győződjön meg róla, hogy az összes darabolókorong tökéletes állapotban van, és nem mutat karcolásokat és repedéseket.
7. Noha azokat a gyárban a szállítás előtt teljesen beszorítják, a befogó anyákat biztonsági okokból szorítsa be újra.
8. Az esetleges baleseteket, mint például a repedt darabolókorongot ez a védőfedél akadályozza meg (korongfedél). Noha azokat a gyárban a szállítás előtt teljesen beszorítják, a felszerelő csavarokat biztonsági okokból szorítsa be újra.
9. A darabolókorong cseréjekor győződjön meg róla, hogy a cserekorong 4800 m/perc értéket meghaladó tervezett kerületi sebességgel rendelkezik.
10. Bizonyosodjon meg róla, hogy a darabolókorong meghúzására vagy eltávolítására használt kulcs nincs hozzákapcsolva a géphez.
11. Ellenőrizze, hogy a munkadarab megfelelően van-e alátámasztva. Bizonyosodjon meg róla, hogy az anyagot a satu biztonságosan rögzíti. Ha nem, komoly balesetet okozhat, ha az anyag meglazul, vagy ha a darabolókorong eltörik a működés során.
12. Használat előtt győződjön meg róla, hogy a csiszolókorong helyesen van-e felszerelve és meghúzva, és biztonságos helyzetben terhelés nélkül 30 másodpercig járassa a gépet, azonnal állítsa le, ha jelentős vibrálás van, vagy ha más hibákat észlel. Ha ez a körülmény fordul elő, ellenőrizze a gépet az ok meghatározásához.

13. Forgassa meg a darabolókorongot a felületi görbülés átvizsgálásához. Az erős elgörbülés a darabolókorong elmozdulását okozza.
14. Győződjön meg róla, hogy a szellőzőnyílások tiszták, amikor poros körülmények között dolgozik. Ha szükségessé válik a megtisztítás a portól, először csatlakoztassa le a gépet a hálózatról.

VÁGÁSI ELJÁRÁSOK

FIGYELEM

Veszélyes eltávolítani vagy behelyezni a munkadarabot, mialatt a darabolókorong forog.

1. A kapcsoló működtetése

A kapcsoló bekapcsolása az indító kézi behúzásával, a kikapcsolás pedig az indító eredeti helyzetbe kiengedésével történik. A kapcsoló nem működik, hacsak be nem nyomja a megállítót.

2. Vágás

- (1) Forgassa meg a darabolókorongot, finoman nyomja le a fogantyút, és hozza közel a darabolókorongot a vágni kívánt anyaghoz.
- (2) Amikor a darabolókorong hozzáér a vágni kívánt anyaghoz, finoman nyomja tovább lefelé a fogantyút és kezdje el a vágást.
- (3) Amikor a vágás (vagy a kijelölt réselés) befejeződött, emelje fel a fogantyút és juttassa azt vissza az eredeti helyzetbe.
- (4) Az egyes vágási folyamatok végén a forgás megállításához kapcsolja KI a kapcsolót és hajtsa végre a következő vágási feladatot.

FIGYELEM

Nem szükségszerűen gyorsabb a vágás, ha nagyobb erőt gyakorol a fogantyúra.

A túl nagy erő a fogantyún túlzott nyomást gyakorol a motorra, és csökkenti annak teljesítményét.

Az üzemeltetés befejezése után ne felejtse el KI állásba kapcsolni a kapcsolót, és húzza ki a dugaszt.

A DARABOLÓKORONG FELSZERELÉSE ÉS LESZERELÉSE

1. A darabolókorong leszerelése (2. ábra)

- (1) Nyomja meg a megállítót és egy imbuszkulccsal lazítsa meg a csavart.

FIGYELEM

Amikor a darabolókorong felszerelő tengelye a megállító megnyomásával nem rögzíthető, imbuszkulccsal fordítsa el a csavart, mialatt nyomva tartja a megállítót. A darabolókorong felszerelő tengelye rögzítve van, amikor a megállítót leeresztette.

- (2) Távolítsa el a csavart, az (A) alátétet, és a korong alátétjét, és távolítsa el a darabolókorongot.

2. A darabolókorong felszerelése

Alaposan távolítsa el a port a korong alátétjeiről és csavarjáról, azután szerelje fel a korongot a leszerelési eljárás fordított sorrendjét követve. Győződjön meg róla, hogy a végén csatlakoztatta az alsó fedelet.

FIGYELEM

Győződjön meg róla, hogy a megállító, amelyet a darabolókorong felszereléséhez és eltávolításához használt, visszatért a visszahúzott helyzetbe.

ÜZEMELTETÉS

1. A vágni kívánt anyag rögzítési eljárása (8. és 9. ábra)

Helyezze a munkadarab anyagát az (A) satu és a (B) satu közé, emelje fel a reteszt és tolja be a csavaros fogantyút, hogy az (A) satu finoman érintkezésbe kerüljön a munkadarab anyagával, a **8. ábrán** bemutatottak szerint.

Ezután fordítsa le a reteszt, és biztonságosan rögzítse a munkadarab anyagát a helyén a csavaros fogantyú elforgatásával. Amikor a vágási feladat befejeződött, forgassa el kétszer-háromszor a csavaros fogantyút a satu kilazításához, és távolítsa el a munkadarab anyagát a **9. ábrán** bemutatottak szerint.

FIGYELEM

A korong a gép kikapcsolása után még tovább forog. A személyi sérülés elkerüléséhez soha ne távolítsa el vagy tegye be a munkadarab anyagát, mialatt a darabolókorong forog.

A hosszú munkadarabokat éghetetlen anyagból készült tömbökkel mindegyik oldalon alá kell támasztani, hogy az vízszintben legyen az alap tetejével.

2. Vágás szögekben (3. és 4. ábra)

- (1) A gép lehetővé teszi a 45° vagy 60° szögben történő vágást.
- (2) Lazítsa meg a két M10 imbuszfejú csavart a (B) satun, azután állítsa be a munkafelületet a satupofán 0°, 30°, vagy 45° szögben a **4. ábrán** bemutatottak szerint. A beállítás befejezésekor szorosan húzza meg a két 10 mm-es csavart.
- (3) Széles anyag szögben történő vágásakor azt szorosan be kell fogni egy, az **5. ábra** szerinti acéltábla rögzítésével a satuhoz (B).

3. Az álló satupofa mozgatása (6. ábra)

A gyárból kiszállításkor a satu nyílása maximum 170 mm-re van beállítva. Abban az esetben, ha 170 mm-nél nagyobb nyílásra van szükség, mozgassa a satut a lánccsonal által mutatott helyzetbe a két csavar kicsavarása után. A maximális nyílás két lépésben 205 mm-re és 240 mm-re állítható be. Amikor a vágni kívánt anyag túlzottan széles, a satu hatékonyan használható a satupofák álló oldalának áthelyezésével.

4. Fémtömb használata (7. ábra)

Amikor a darabolókorongnak csökkent a külső átmérője, az (A) és (B) satu közé helyezzen egy fémtömböt, amely valamivel kisebb, mint a vágandó munkadarab mérete, hogy a darabolókorongot gazdaságosan lehessen használni.

KARBANTARTÁS ÉS ÁTVIZSGÁLÁS

FIGYELEM

Győződjön meg róla, hogy az átvizsgálás és karbantartás előtt kikapcsolta a gépet és kihúzta a dugaszt a dugaszolóaljzatból.

1. Darabolókorong cseréje

Amikor a darabolókorong a folyamatos használatlaltól már élettelené vált, szükségtelen terhelést kap a motortól. Következésképpen javítsa fel vagy cserélje ki az élettlen darabolókorongot a csiszolási hatékonyság biztosításához.

2. A szénkefék ellenőrzése (10. Ábra)

A motor szénkeféket használ, amelyek fogyasztóalkatrészek. Ha a kefék a „kopási határ”-ig vagy ennek közeléig elhasználódtak, akkor ez a motor számára problémát okozhat. Ha automatikusan leállító szénkefe van beszerelve, akkor a motor automatikusan leáll. Ekkor mindkét szénkefét cserélje ki olyan új szénkefékre, amelyeknek a szénkefe-száma megegyezik az ábrán bemutatottal. Ezen túlmenően a szénkeféket mindig tartsa tisztán és gondoskodjon arról, hogy azok szabadon mozogjanak a szénkefe-tartókban.

3. A rögzítő csavarok ellenőrzése

Rendszeresen ellenőrizzen minden rögzítő csavart, és ügyeljen rá, hogy azok megfelelően meg legyenek szorítva. Minden meglazult csavart azonnal szorítson meg. Ennek elhanyagolása súlyos veszélyeket hordoz magában.

4. Kenés

Havonta egyszer adjon olajat a következő olajozási pontokhoz, hogy a gépet hosszú időre munkaképes állapotban tartsa (Lásd 1. ábra).

Olajozási pontok

- Tengely forgó része
- Satu forgó része
- (A) satu csúszópályája

5. Tisztítás

Időről időre törölje le a géphez tapadt forgácsot és hulladékot egy törőlkendővel vagy hasonlóval. Vigyázzon, hogy a motorrész ne váljon olajtól vagy víztől nedvesé.

6. A gép hibáit, beleértve a védőlapokat vagy a vágókéseket a felfedezéskor azonnal jelenteni kell.

7. Szervizelési alkatrészlista

FIGYELEM

Hitachi kéziszerszámok javítását, módosítását és ellenőrzését csak Hitachi Szakszervíz végezheti.

Javítás vagy egyéb karbantartás esetén hasznos ha ezt a szerviz-alkatrész listát a szerszámmal együtt átadjuk a Hitachi szakszervíznek.

A kéziszerszámok üzemeltetése és karbantartása során be kell tartani az egyes országokban érvényben lévő biztonsági rendelkezéseket és szabványokat.

MÓDOSÍTÁSOK

A Hitachi kéziszerszámok állandó tökéletesítéseken mennek át, hogy alkalmazni tudják a legújabb műszaki fejlesztések eredményeit.

Éppen ezért egyes alkatrészek előzetes bejelentés nélkül megváltozhatnak.

MEGJEGYZÉS

A HITACHI folyamatos kutatási és fejlesztési programja következtében az itt szereplő műszaki adatok előzetes bejelentés nélkül változhatnak.

A környezeti zajra és vibrációra vonatkozó információk

A mért értékek az EN61029 szabvány szerint kerültek meghatározásra.

Jellemző A-súlyozott hangnyomásszint: 97 dB (A)

Jellemző A-súlyozott hangteljesítmény-szint: 109 dB (A)

Viseljen hallásvédelmi eszközt.

A jellemző súlyozott gyorsulás négyzetes középértéke: 1,2 m/s².

● Információk a 230 V~ névleges feszültségű tápfeszültség ellátó rendszerről

Kedvezőtlen hálózati feltételek esetén, ez az elektromos szerszám *lökőfeszültség csökkenést* vagy *zavaró feszültségingadozásokat* okozhat.

Ezt az elektromos eszközt a felhasználó ellátó rendszere elosztódobozának interfész pontján 0,14 Ohm Z_{max} megengedhető rendszerimpedanciával rendelkező tápfeszültség ellátó rendszerhez történő csatlakoztatásra tervezték.

A felhasználónak kell gondoskodnia arról, hogy ezt az elektromos eszközt csak a fenti követelményeknek megfelelő tápfeszültség ellátó rendszerhez csatlakoztassák. Szükség esetén a felhasználó az elektromos műveket kérdezheti meg az interfész pont rendszerimpedanciájával kapcsolatban.

● Információ a 230 V~ névleges feszültségű megszakító kapcsolókról

Ez a szerszám csak akkor használható, ha egy 16 amperes gl lekapcsolási karakterisztikájú biztosítékhoz van csatlakoztatva.

VŠEOBECNÉ PROVOZNÍ POKYNY

VAROVÁNÍ! Při použití elektrického nářadí je nutné dodržovat základní bezpečnostní opatření, aby se zmenšilo nebezpečí požáru, úrazu elektrickým proudem nebo zranění. Dodržujte také následující pokyny.

Před použitím nástroje si přečtěte všechny tyto pokyny a návod pečlivě uschovejte.

Z bezpečnostních důvodů:

1. Udržujte pracovní prostředí čisté. Nepořádek na pracovišti vede k úrazům.
2. Vyhybte se nebezpečnému prostředí. Chraňte nářadí před deštěm. Nepoužívejte ve vlhkých nebo mokrych místech. Mějte pracoviště dobře osvětlené. Nepoužívejte nářadí blízko hořlavých a výbušných materiálů.
3. Chraňte se proti úrazu elektrickým proudem. Nedotýkejte se uzemněných předmětů (např. potrubí, radiátorů, sporáků nebo ledniček).
4. Dbejte na to, aby byly děti nebo jiné nepovolané osoby v bezpečné vzdálenosti od pracoviště a nedotýkaly se nářadí ani přívodní šňůry.
5. Nepoužívané nástroje uložte v suchu na bezpečném místě mimo dosah dětí.
6. Nástroj nepřetěžujte. Bude pracovat lépe a bezpečněji v podmínkách, pro které byl zkonstruován.
7. Používejte vhodný nástroj. Nepoužívejte malý nástroj nebo příslušenství na práce, pro které je zapotřebí výkonný nástroj. Používejte nářadí jen na práce, pro které je určeno; například nepoužívejte kotoučovou pilu na řezání větví nebo kmenů stromů.
8. Na práci se vhodně oblečte. Neberte si volné šaty nebo šperky. Mohou být zachyceny pohyblivými částmi. Při práci venku se doporučuje používat pryčové rukavice a vhodnou obuv (s protiskluzovou podrážkou). Máte-li dlouhé vlasy, použijte vhodnou pokrývku hlavy.
9. Používejte ochranné pomůcky. Chraňte si oči a pokud se při práci práší, použijte ochrannou masku nebo filtr.
10. Připojte zařízení na odsávání prachu. Je-li nářadí vybaveno přípojkou pro zařízení na odsávání a sběr prachu, zajistěte jejich připojení a správné používání.
11. Zacházejte s napájecí šňůrou opatrně. Nikdy nezvedejte nářadí za šňůru a netahejte za šňůru, když ji chcete odpojit ze zásuvky. Chraňte šňůru před teplem, olejem a ostrými hranami.
12. Pracujte bezpečně. Obráběný materiál upevněte svorkou nebo ve svěráku. Je to bezpečnější než přidržovat materiál rukou a uvolníte si tak pro práci s nástrojem obě ruce.
13. Při práci se příliš nenaklánějte. Udržujte pevný postoj a rovnováhu.
14. Zacházejte s nástroji opatrně. Chraňte vždy jejich ostří a udržujte je čisté, aby se s nimi dobře a bezpečně pracovalo. Dodržujte pokyny pro mazání a výměnu příslušenství. Pravidelně kontrolujte stav napájecí šňůry a je-li poškozena, nechtejте nástroj opravit v autorizovaném servisním středisku. Pravidelně kontrolujte stav prodlužovací šňůry a vyměňte ji, je-li poškozena. Mějte ruce suché a čisté, neumazané olejem nebo mazivem.
15. Odpojte napájecí šňůru ze zásuvky, není-li nástroj používán, provádí-li se jeho údržba nebo se mění příslušenství, např. čepele, nástavce nebo řezací nože.

16. Odstraňte klíče. Zvykněte si před zapnutím nástroje zkontrolovat, zda na něm není nasazen klíč.
17. Zabráňte náhodnému zapnutí. Při přenášení nástroje nemějte prst na spínači. Před připojením napájecí šňůry do zásuvky zkontrolujte, zda je nástroj vypnut.
18. Používáte-li nástroj venku, použijte jen prodlužovací šňůry určené pro venkovní prostředí.
19. Buďte pozorní. Sledujte průběh práce. Používejte zdravý rozum. Nepracujte s nástrojem, jste-li unavení.
20. Před každým použitím zkontrolujte poškození částí nářadí, abyste zjistili, zda budou pracovat správně. Zaměřte se na polohu pohyblivých částí, volný pohyb pohyblivých částí, poškození, montáž a další podmínky, které by mohly ovlivnit použití nástroje. Poškozenou ochranu nebo jiné části je třeba správně opravit nebo vyměnit v autorizovaném servisním středisku, nejsou-li v tomto návodu uvedeny jiné pokyny. Vadné spínače nechtejте vyměnit v autorizovaném servisním středisku. Nepoužívejte nástroj, nejde-li spínač zapnout nebo vypnout.
21. Varování!
Abyste zabránili poranění, používejte jen příslušenství nebo nástavce popsané v tomto návodu.
22. Opravy světe jen autorizovanému servisu. Tento elektrický nástroj odpovídá příslušným bezpečnostním požadavkům. Opravy smí provádět jen kvalifikované osoby s použitím originálních náhradních dílů. Jinak může uživateli hrozit velké nebezpečí.

BEZPEČNOSTNÍ OPATŘENÍ PŘI POUŽITÍ ODŘEZÁVAČE

1. Před použitím zkontrolujte řezný kotouč, nepoužívejte vyštípnuté nebo jinak poškozené řezné kotouče. Před zahájením práce vždy proveďte zkušební chod pro zjištění, zda odřezávač má normální chod.
2. Používejte normální odřezávací kotouč na normální pracovní ploše.
3. Chraňte se před jiskrami vznikajícími při odřezávání.
4. Odřezávací kotouč náležitým způsobem vyměňte.
5. Vždy věnujte pozornost tomu, aby upínací části odřezávacího kotouče nebyly nikdy poškozené. Vadné díly mohou způsobit poškození odřezávacího kotouče.
6. Zajistěte, aby řezaný materiál neobsahoval cizí předměty, jako jsou např. hřebíky.
7. Používejte pouze řezací kotouče doporučené výrobcem, jejichž vyznačené otáčky jsou rovny nebo větší než otáčky uvedené na výrobním štítku odřezávače.
8. Brusné kotouče je třeba skladovat a zacházet s nimi opatrně podle pokynů výrobce.
9. Ujistěte se, že namontovaný kotouč je upevněn podle pokynů výrobce.
10. Nikdy nepoužívejte odřezávač bez ochranného krytu namontovaného ve správné poloze.
11. Neřežte bít.
12. Nepoužívejte odřezávač ve výbušném prostředí a v prostředí, kde jiskry mohou způsobit požár, výbuch atd.

PARAMETRY

Napětí (podle oblasti)*		(110V, 115V, 120V, 127V) ∩	(230V, 240V) ∩
Vstupní příkon		1640 W*	2000 W*
Maximální rozměry řezu Výška × šířka	90°	115 mm × 130 mm	70 mm × 235 mm
	45°	100 mm × 106 mm	
Odřezávací kotouč		ø355 × ø25,4 × 4 mm (Zesílený odřezávací kotouč s pojivem ze syntetických pryskyřic)	
Rychlost bez zatížení		3800 min ⁻¹	
Max. pracovní obvodová rychlost		4800 m/min	
Váha		17 kg	

*Zkontrolujte, prosíme, štítek na výrobku. Štítek podléhá změnám v závislosti na oblastech použití.

STANDARDNÍ PŘÍSLUŠENSTVÍ

- (1) Odřezávací kotouč 1
(2) Klíč na vnitřní šestihrany 1

POUŽITÍ

Řezání různých kovových materiálů, jako jsou trubky, kruhové tyče, profilová ocel a obkladové desky.

PŘED POUŽITÍM

1. Zdroj elektriny

Ujistěte se, že elektrický zdroj odpovídá požadavkům uvedeným na štítku výrobku.

2. Spínač

Ujistěte se, že spínač je v poloze VYPNUTO (OFF). Pokud je zařízení připojeno ke zdroji elektrického proudu a spínač je v poloze ZAPNUTO (ON), nástroj začne okamžitě pracovat a to může vést k vážnému úrazu.

3. Prodlužovací šňůra

Pokud je pracoviště vzdáleno od zdroje elektrického proudu, použijte prodlužovací šňůru o dostatečné tloušťce a kapacitě. Dbejte na to, aby prodlužovací šňůra byla co nejkratší.

4. Umístěte odřezávač na rovné ploché místo a zajistěte jej ve stabilní poloze. Před expedicí z výrobního závodu je náradí důkladně zkontrolováno, aby se zabránilo úrazům elektrickým proudem během provozu.

5. Protože pohybliví se části jsou zajištěny při dopravě napnutím řetězu, demontujte řetěz z háku řetězu mírným stisknutím rukojet s vypínačem.

6. Zajistěte, aby všechny odřezávací kotouče byly v bezchybném stavu a nevykazovaly známky vrubů nebo prasklin.

7. Ačkoli byly upínací matice ve výrobním závodě před dodávkou náležitým způsobem utaženy, z bezpečnostních důvodů je znovu řádně dotáhněte.

8. Možnému vzniku nehod v důsledku např. prasklého odřezávacího kotouče se zabrání tímto ochranným krytem (kryt kotouče). Ačkoli byly také upevňovací šrouby ve výrobním závodě před dodávkou náležitým způsobem utaženy, z bezpečnostních důvodů je znovu řádně dotáhněte.

9. Při výměně odřezávacího kotouče zajistěte, aby vyměněný řezný kotouč měl konstrukční obvodovou rychlost vyšší než 4800 m/min.

10. Zajistěte, aby klíč používaný pro dotahování a demontáž odřezávacího kotouče nebyl připevněný k odřezávači.

11. Zkontrolujte, zda je řezaný materiál náležitým způsobem podepřený.

Zajistěte, aby materiál byl spolehlivě upevněn svérákem. Pokud tomu tak není, může dojít k vážné nehodě způsobené uvolněním materiálu nebo prasknutím odřezávacího kotouče během provozu.

12. Zajistěte, aby brusný kotouč byl před zahájením práce správným způsobem nasazen a dotažen, a nechejte odřezávač v chodu bez zatížení po dobu 30 vteřin v bezpečné poloze, okamžitě odřezávač vypněte, pokud dochází ke značným vibracím nebo zjistíte jiné závady. Nastane-li tato situace, zkontrolujte odřezávač pro zjištění příčiny.

13. Otáčejte odřezávacím kotoučem pro kontrolu jeho čelního házení. Velké házení může způsobit posuv odřezávacího kotouče.

14. Pokud pracujete v prašném prostředí, zajistěte, aby větrací otvory byly vždy čisté. Je-li potřebné odstranit prach, nejdříve odpojte odřezávač od síťového přívodu.

POSTUP PŘI ŘEZÁNÍ

POZOR

Je nebezpečné vyjmát nebo umísťovat řezaný materiál, když se odřezávací kotouč otáčí.

1. Ovládání vypínače

Vypínač se zapíná ručně stisknutím tlačítka vypínače a vypíná se uvolněním tlačítka vypínače do jeho původní polohy. Vypínač nebude fungovat, pokud je zasunuta pojistka.

2. Řezání

(1) Uvedte odřezávací kotouč do chodu, mírně zatlačte dolů rukojet a přiblížte odřezávací kotouč do blízkosti řezaného materiálu.

(2) Když se odřezávací kotouč dostane do styku s řezaným materiálem, dále mírně zatlačte dolů rukojet a začněte řezat.

(3) Po dokončení řezání (nebo drážkování) zvedněte rukojet a přesuňte ji do původní polohy.

(4) Po ukončení každého řezání vypněte vypínač, aby se zastavilo otáčení a pokračujte s dalším řezáním.

POZOR

Vyvinutím větší síly na rukojeť se nemusí nezbytně dosáhnout vyšší rychlosti řezání.

Příliš velká síla na rukojeť způsobí nadměrný tlak na motor a sníží jeho výkonnost.

Po dokončení práce nezapomeňte vypnout vypínač a vytáhnout zástrčku.

MONTÁŽ A DEMONTÁŽ ODŘEZÁVACÍHO KOTOUČE**1. Demontáž odřezávacího kotouče (obr. 2)**

- (1) Stiskněte pojistku a uvolněte šroub pomocí klíče na vnitřní šestihrany.

POZOR

Pokud montážní hřídel odřezávacího kotouče nelze upevnit stisknutím pojistky, otáčejte šroub pomocí klíče na vnitřní šestihrany a přitom držte stisknutou pojistku. Montážní hřídel odřezávacího kotouče je upevněn tehdy, když se pojistka zasunula.

- (2) Vymontujte šroub, podložku (A) a podložku kotouče a sejměte odřezávací kotouč.

2. Montáž odřezávacího kotouče

Důkladně odstraňte prach z podložek kotouče a šroubu, potom namontujte kotouč postupem opačným jako při demontáži. Nezapomeňte nakonec upevnit spodní kryt.

POZOR

Přesvědčete se, že pojistka, která byla použita pro montáž a demontáž odřezávacího kotouče, se vrátila do zasunuté polohy.

ZPŮSOB OVLÁDÁNÍ**1. Postup při upevňování řezaného materiálu (obr. 8 a 9)**

Podle popisu na **obr. 8** umístěte řezaný materiál mezi svěrák (A) a svěrák (B), zvedněte spojku a zatlačte šroubovací rukojeť tak, aby se svěrák (A) dostal do styku s řezaným materiálem.

Potom otočte spojku dolů a spolehlivě upevněte řezaný materiál v jeho poloze otočením šroubovací rukojeti. Po dokončení řezání otočte šroubovací rukojeť o 2 až 3 otáčky pro uvolnění svěráku a vyjměte řezaný materiál tak, jak je uvedeno na **obr. 9**.

POZOR

Po vypnutí odřezávače kotouč dobíhá.

Nikdy nevýjímajte nebo neumísťujte řezaný materiál, pokud se odřezávací kotouč otáčí, aby se zabránilo zranění.

Dlouhé řezané materiály musí být podepřeny bloky nehořlavého materiálu na obou stranách tak, aby řezaný materiál byl v rovině s horní stranou základny.

2. Řezání v úhlech (obr. 3 a 4)

- (1) Odřezávač umožňuje řezání v úhlech 45° nebo 60°.
- (2) Uvolněte dva šrouby s vnitřním šestihranem M10 na svěráku (B), potom nastavte pracovní plochu na čelisti svěráku v úhlu 0°, 30° nebo 45°, jak je uvedeno na **obr. 4**. Po dokončení nastavení spolehlivě dotáhněte dva šrouby 10 mm.
- (3) Pokud se provádí řezání širokého materiálu v úhlu, upíná se materiál pevně upevněním ocelové desky ke svěráku (B) tak, jak je uvedeno na **obr. 5**.

3. Posuv pevné čelisti svěráku (obr. 6)

Rozevření svěráku je při expedici z výrobního závodu nastaveno na maximální hodnotu 170 mm. V případě, že je potřebné rozevření větší než 170 mm, přesuňte svěrák po vyšroubování dvou šroubů do polohy znázorněné čerchovanou čarou. Maximální rozevření lze nastavit v krocích 205 mm a 240 mm. Pokud je řezaný materiál nadměrně široký, lze svěrák s výhodou použít přemístěním pevné strany čelisti svěráku.

4. Způsob použití kovového bloku (obr. 7)

Když se zmenší vnější průměr odřezávacího kotouče, vložte mezi svěrák (A) a (B) kovový blok o něco menší, než je rozměr řezaného materiálu pro ekonomické využití odřezávacího kotouče.

ÚDRŽBA A KONTROLA**POZOR**

Před prováděním údržby a kontroly se ujistěte, že jste vypnuli a vytáhli zástrčku z elektrické zásuvky.

1. Výměna odřezávacího kotouče

Když se odřezávací kotouč utopí v důsledku dlouhodobého provozu, dochází ke zbytečnému zatížení motoru. Proto opravte nebo vyměňte utopený odřezávací kotouč za nový pro zajištění náležité účinnosti broušení.

2. Kontrola uhlíkových kartáčků (Obr. 10)

Motor využívá uhlíkových kartáčků, které jsou spotřebním materiálem. Pokud se opotřebují nebo dosáhnou „limitu“ provozuschopnosti, mohlo by to vést k problémům s motorem. Pokud je nástroj vybaven automatickým zastavením funkce závisející na stavu kartáčků, motor se zastaví automaticky.

Současně vyměňte oba uhlíkové kartáče za nové, se stejnými čísly, jako jsou uvedené na obrázku. Kromě toho je nutné vždy udržovat uhlíkové kartáče v čistotě a zajistit, aby je do držáků bylo možné zasunout volně.

3. Kontrola šroubů

Pravidelně zkontrolujte všechny šrouby a ujistěte se, že jsou správně utažené. Pokud najdete některé šrouby uvolněné, ihned je utáhněte. Neutažené šrouby mohou vést k vážnému riziku.

4. Mazání

Prmažte olejem jednou za měsíc následující mazací místa, aby odřezávač byl schopný provozu po dlouhou dobu (Viz. **obr. 1**).

Mazací místa

- Rotační část hřídele
- Rotační část svěráku
- Posuvní dráha svěráku (A)

5. Čištění

Otřete občas pomocí tkaniny nebo podobným prostředkem piliny a odřezky, které ulpěly na odřezávací. Zajistěte, aby do motorové části nevnikl olej nebo voda.

6. Závady na odřezávací včetně závad ochranných krytů nebo ostří je třeba oznámit hned po zjištění.

7. Seznam servisních položek**POZOR**

Opravy, modifikace a kontroly zařízení Hitachi musí provádět Autorizované servisní středisko Hitachi. Tento seznam servisních položek bude užitečný, předložíte-li jej s vaším zařízením Autorizovanému servisnímu středisku Hitachi společně s požadavkem na opravu nebo další servis.

Při obsluze a údržbě elektrických zařízení musí být dodržovány bezpečnostní předpisy a normy platné v každé zemi, kde je výrobek používán.

MODIFIKACE

Výrobky firmy Hitachi jsou neustále zdokonalovány a modifikovány tak, aby se zavedly nejposlednější výsledky výzkumu a vývoje.

Následně, některé díly mohou být změněny bez předešlého oznámení.

POZNÁMKA

Vlivem stále pokračujícího výzkumného a vývojového programu HITACHI mohou zde uvedené parametry podléhat změnám bez předchozího upozornění.

Informace o hluku a vibracích

Měřené hodnoty byly určeny podle EN61029.

Typická vážená úroveň hladiny akustického tlaku: 97 dB (A)

Typická vážená úroveň hladiny akustické energie: 109 dB (A)

Použijte ochranu sluchu.

Typická vážená střední hodnota zrychlení nepřesahuje:

1,2 m/s²

● Informace o systému napájení se jmenovitým napětím 230 V~

Za nepříznivých podmínek napájení ze sítě může tento nástroj způsobit *přechodové poklesy napětí* nebo *rušivé výpadky napětí*.

Tento nástroj je určen pro připojení k napájecímu systému s maximální povolenou hodnotou impedance systému $Z_{MAX} = 0,14$ ohmů v místě rozhraní (napájecí rozvaděč) uživatelského napájení.

Uživatel musí zajistit, aby tento nástroj byl připojen pouze k systému napájení, který splňuje výše uvedené požadavky. V případě potřeby může uživatel požádat o sdělení hodnoty impedance systému v místě rozhraní.

● Informace o jističi se jmenovitým napětím 230 V~

Nářadí je třeba používat jen tehdy, pokud je napojeno přes pojistku 16 A s odpojovací charakteristikou gl.

KULLANIMLA İLGİLİ GENEL ÖNLEMLER

DİKKAT! Elektrikli el aletleri kullanılırken, elektrik çarpması, yaranalma ve yangına karşı korunmak üzere aşağıdaki temel güvenlik önlemlerine uyulmalıdır.

Aleti kullanmadan önce bu kılavuzu okuyun ve talimatlarla uyun.

Güvenli bir kullanım için:

1. Çalışma ortamını temiz tutun. Dağınık ve düzensiz alanlar yaranalmaya yol açabilir.
2. Çalışma yapılan ortamın çevresine dikkat edin. Aleti yağmura maruz bırakmayın, rutubetli veya ıslak yerlerde kullanmayın. Çalışma alanının iyi bir şekilde aydınlatılmasını sağlayın. Elektrikli el aletlerinin yangın veya patlama tehlikesi olan ortamlarda kullanmayın.
3. Elektrik çarpmasına karşı korunun. Topraklanmış yüzeylerle (borular, radyatörler, fırınlar, buzdolapları gibi) temastan kaçının.
4. Çocukları uzak tutun. Başkalarının alete veya uzatma kablosuna dokunmalarına izin vermayın. Çalışanların haricindeki kişilerin çalışma sahasından uzak tutulması gerekir.
5. Kullanılmayan aletleri çocukların ulaşamayacağı kuru, yüksek bir yere kaldırın veya kilitle bir yerde saklayın.
6. Aleti zorlamayın. En iyi ve güvenilir sonucun aletin tasarladığı şekilde kullanılmasında elde edileceğini unutmayın.
7. Doğru aleti kullandığınızdan emin olun. Küçük bir aleti ağır bir iş için zorlamayın. Hiçbir aleti amacı dışında kullanmayın. (Örneğin dairesel testereyi ağaç kesmek için kullanmak gibi.)
8. Çalışma giysilerinizi dikkat edin. Bol giysiler ve takılar gibi aletin hareketli parçalarına kapılabilecek giysiler giymeyin. Açık alanlarda çalışırken lastik eldiven ve kaymayan ayakkabıların kullanılması tavsiye edilir. Ayrıca uzun saçları içine alan koruyucu başlık kullanın.
9. Koruyucu gözlük kullanın. Eğer toz çıkaran bir çalışma yapıyorsanız, yüz ya da toz maskesi kullanın.
10. Toz toplama teçhizatı kullanın. Toz toplama bağlantısı için gerekli teçhizat ve bağlantı araçları sağlanmışsa, bunların bağlı olduğundan ve doğru şekilde kullanıldığından emin olun.
11. Kabloyu yanlış yerlerde kullanmayın. Aleti asla kablodan tutarak taşımayın veya hızla prizden çekmeyin. Kabloyu kesici cisimlerden, sıcak yüzeylerden ve yağdan uzak tutun.
12. Güvenli bir şekilde çalışın. İş elinizle değil, kısıkaç veya mengene kullanarak tutun. Bu, ellerinizi kullanmanızdan daha güvenlidir; ayrıca boşta kalan iki elinizi de aleti çalıştırmak için kullanabilirsiniz.
13. Fazla uzanmayın. Ayaklarınızın konumuna ve dengeye her zaman dikkat edin.
14. Aletleri korumaya özen gösterin. Daha yüksek performans elde etmek ve güvenliğinizi için aletleri keskin ve temiz tutun. Yağlama ve aksesuar değişimlerinde talimatlarla uyun. Kabloları düzenli olarak kontrol edin ve zarar görmüş olanları yetkili servislerde tamir ettirin. Uzatma kablolarını da düzenli aralıklarla kontrol edip hasarlı olan varsa değiştirin. Tutma kollarını kuru, temiz ve yağsız tutun.
15. Kullanmadığınız zamanlarda; bıçak, keski gibi aksesuar değişimlerinde ve tamirat öncesi aletin elektrik bağlantısını kesin.

16. Aleti çalıştırmadan önce ayar anahtarlarının çıkartılmış olup olmadığını kontrol etmeyi alışkanlık haline getirin. Çıkartılmamışsa çıkarın.
17. Aletin istek dışı çalışmasını engelleyin. Elektrik bağlantısı olan aleti parmağınız şalter üzerinde olduğu halde taşımayın. Fişi takmadan aletin kapalı olduğuna emin olun.
18. Açık alandaki çalışmalar için sadece açık alana özel uzatma kablosu kullanın.
19. Daima tetikte olun. Ne yaptığının farkında olun ve duyarlı olun. Aleti yorgunken çalıştırmayın.
20. Aletinizin hasarlı olup olmadığını kontrol edin. Aletle yeni bir işe başlamadan önce; koruyucu tertibatların veya hafif hasarlı parçaların işlevlerini kusursuz ve usulüne uygun bir biçimde yerine getirip getirmediklerini kontrol edin. Hareketli parçaların hizalı olup olmadığını, sıkışıp sıkışmadıklarını veya hasarlı olup olmadıklarını kontrol edin. Kullanım kılavuzunda başka türlü belirtilmemişse; hasar görmüş koruyucu tertibat ve parçalar bir yetkili servis tarafından usulüne uygun olarak onarılmalı veya değiştirilmelidir. Hasarlı şalterler de yetkili servis tarafından yenilenmelidir. Şalterlerin kapama/açma işlevini yerine getirmediği bir aleti kullanmayın.
21. Dikkat
Bu talimatlarda belirtilenler dışında aksesuarların veya parçaların kullanılması, yaranalmalara yol açabilir.
22. Aletin yalnızca vasıflı bir kişi tarafından tamir edilmesini sağlayın. Bu elektrikli alet, ilgili güvenlik gerekliliklerine uygundur. Tamiratlar yalnızca yetkili servis tarafından orijinal yedek parçalar kullanılarak yapılmalıdır. Aksi halde kullanıcı açısından büyük tehlikeler doğabilir.

PROFİL KESME MAKİNASINI KULLANIRKEN DİKKAT EDİLECEK HUSUSLAR

1. Kullanmadan önce kesme diskini kontrol edin, yıpranmış ve bozuk kesme disklerini kullanmayın. Kullanmadan önce mutlaka bir deneme yaparak makinada herhangi bir anormallik olup olmadığını kontrol edin.
2. Normal profil kesme diskini, uygun normal yüzeylerde tatbik edin.
3. Kesme esnasında oluşacak kıvılcımlara karşı kendinizi koruyun.
4. Profil kesme diskini değiştirirken düzgün yerleştirin.
5. Kesme diskinin bağlantı parçalarının aşınmamış ve sağlam olmasına her zaman özen gösterin. Bozuk bağlantı parçaları kesme diskinin zarar verir.
6. Çalıştığınız yüzeyde, çivi gibi yabancı maddelerin olmadığına emin olun.
7. Sadece üretici firma tarafından önerilen kesme disklerini kullanınız. Kullanacağınız diskin makinada belirtilen hıza eşit veya daha yüksek hıza göre ayarlanmış olması gerekmektedir.
8. Zımparalama diski, üretici kılavuzunda belirtildiği şekilde saklanmalı ve dikkatle kullanılmalıdır.
9. Diskin, üretici kılavuzunda belirtildiği şekilde yuvasına takılmış olduğundan emin olunuz.
10. Koruma parçası üzerinde takılı olmadan makineyi asla kullanmayınız.
11. Bıçağı bilemeyin.
12. Makinayı, patlayıcı ortamlarda ve kıvılcım oluşabilecek ortamlarda kullanmayın.

TEKNİK ÖZELLİKLER

Voltaj (bölgelere göre)*		(110V, 115V, 120V, 127V) ~	(230V, 240V) ~
Güç girişi		1640 W*	2000 W*
Maksimum Kesme Boyutları	90°	115 mm × 130 mm	70 mm × 235 mm
Yükseklik × Genişlik	45°	100 mm × 106 mm	
Profil Kesme Diski	ø355 × ø25,4 × 4 mm (Güçlendirilmiş reçineli profil kesme diskisi)		
Yüksüz hız	3800 dak ⁻¹		
Maksimum çevresel çalışma hızı	4800 m/dak		
Ağırlık	17 kg		

*Bu değer bölgeden bölgeye değişiklik gösterdiği için ürünün üzerindeki plakayı kontrol etmeyi unutmayın.

STANDART AKSESUARLAR

- (1) Profil kesme diskisi 1
 (2) Altıgen somun lokma anahtarı 1

UYGULAMALAR

Boru, yuvarlak çubuk, şekil verilmiş çelik ve yan tahta gibi çeşitli malzemelerin kesilmesi.

ALETİ KULLANIM ÖNCESİNDE

- Güç Kaynağı**
Kullanacağınız güç kaynağının, aletin etiketinde belirtilen elektrik gereklerine uygun olduğundan emin olun.
- Güç Şalteri**
Güç şalterinin OFF konumunda olduğundan emin olun. Şalter ON konumundayken güç kaynağına bağlanan alet hemen çalışmaya başlayarak ciddi bir kazaya neden olabilir.
- Uzatma Kablosu**
Çalışma yeri güç kaynağına uzak olduğunda, yeterli kalınlık ve kapasiteye sahip bir uzatma kablosu kullanın. Uzatma kablosu mümkün olduğunca kısa tutulmalıdır.
- Makinayı düz bir yere yerleştirerek sabitleyin. Makina fabrikadan çıkışında kullanım sırasında oluşabilecek elektrik çarpmalarına karşı korunmak üzere detaylı bir kontrolden geçmiştir.
- Taşıma sırasında makinanın tüm çıkarılabilir parçaları bir gerdirme zinciriyle sağlamlaştırılmıştır. Düşmesine yavaşça basarak bu gerdirme zincirini yuvasından çıkartınız.
- Tüm kesme disklerinin mükemmel durumda olduklarından ve herhangi bir çatlak veya çizik olmadığından emin olunuz.
- Fabrikadan çıkarken tüm civatalar sıkıca sıkılmışlardır. Ancak, güvenlik amacıyla tüm sıkma civatalarını tekrar sıkınız.
- Diskin çatlamasından meydana gelecek kazalar koruyucu kılıf (disk kılıfı) tarafından önlenmektedir. Disk kılıfı, fabrikadan tamamen sıkılmış olarak çıkmış olmasına rağmen, güvenlik için civataları tekrar sıkarak kontrol ediniz.

- Kesme diskini değiştirirken, yeni kullanacağınız kesme diskinin 4800m/dk'lık çevresel dönme hızında imal edilmiş olduğundan emin olunuz.
- Kesme diskini sıkıştırmak veya çıkartmak için kullanılan boru anahtarın makinarya takılı olmadığından emin olunuz.
- Üstünde çalışılacak parçanın düzgün bir şekilde desteklenmiş olduğunu kontrol edin. Malzemenin mengeneyle sabitlenmiş olduğundan emin olun. Aksi takdirde, parçanın yerinden çıkması veya kesme diskinin kırılması durumunda ciddi bir kaza meydana gelebilir.
- Taşlama diskinin, kullanmadan önce düzgün bir şekilde bağlanmış ve sıkılmış olduğundan emin olun ve makinarya 30 saniye kadar boş olarak emniyetli konumda çalıştırın. Eğer herhangi bir anormal titreşim veya başka bir arıza varsa, makinarya derhal durdurun. Tekrar çalıştırdığınızda aynı durum devam ediyorsa nedenini bulmak için makinarya kontrol edin.
- Yüzeyde herhangi bir eğrilik olup olmadığını kontrol etmek için kesme diskini döndürün. Aşırı eğrilik diskin yerinden çıkmasına neden olur.
- Tozlu alanlarda çalışırken havalandırma kanallarının açık olduğundan emin olun. Tozu temizlemek gerekirse, öncelikle makinanın elektrik fişini çekin.

KESME İŞLEMLERİ

DİKKAT

Kesilecek parçanın kesme diski dönerken yerleştirilmesi veya yerinden oynatılması tehlikelidir.

1. Düşmenin çalıştırılması

Çalıştırma düğmesi mandalın elle çekilmesi ile çalışır ve mandalın serbest bırakılarak orijinal yuvasına geri getirilmesiyle durdurulur. Emniyet mandalı basılı konumda olmadan düğme çalışmaz.

2. Kesme

- Kesme diskini döndürün, yavaşça kolu aşağıya bastırarak kesme diskini kesilecek parçaya yaklaşırın.
- Kesme diski kesilecek parçayla temas edince, yavaşça kolu daha aşağıya iterek kesmeye başlayın.
- Kesme tamamlanınca (veya istenen delik açılınca), kolu yukarıya doğru kaldırarak orijinal yuvasına getirin.
- Her kesme işleminin sonunda, dönmeyi durdurmak için düğmeyi kapatın, ve sonraki işleme de aynı şekilde devam edin.

DİKKAT

Makinanın kolundan daha kuvvetli bastırılması kesme işleminin daha çabuk olacağı anlamına gelmez. Kola fazla yük bindirmek motora fazla basınç uygulayacak ve kapasitesini azaltacaktır. Kesme işlemi bittikten sonra, makineyi kapatıp, elektrik fişini çekmeyi unutmayınız.

PROFİL KESME DISKİNİN TAKILMASI VE ÇIKARTILMASI**1. Kesme diskinin çıkartılması (Şekil. 2)**

(1) Durdurma mandalına basın ve civatayı altıgen somun lokma anahtarla gevşetin.

DİKKAT

Kesme diskinin sabitleme mili durdurucu mandala basarak sabitlenemiyorsa, mandala basarken civatayı altıgen somun lokma anahtarıyla sıkın. Durdurma mandalı aşağıdayken yerleştirme şaftı sabitlenmiştir.

(2) Civatayı, pulu (A), ve disk pulunu çıkartın ve kesme diski yerinden sökün.

2. Profil Kesme Diskini Yerleştirme

Disk pul ve civatalarından tozu tamamen temizleyin, daha sonra çıkartma işleminin tersini uygulayarak diski yerleştirin. Son olarak alt kapağı yerine taktığınıza emin olun.

DİKKAT

Profil kesme diskiyi takmak ve çıkartmak için kullanılan durdurma mandalının önceki durumuna getirildiğinden emin olun.

NASIL KULLANILIR?**1. Kesilecek malzemeyi yerleştirme işlemi (Şekil. 8 ve 9)**

Çalışılacak malzemeyi (A) ve (B) mngeneleri arasına yerleştirin ve kavrama kolunu kaldırın ve **Şekil. 8'**de gösterildiği şekilde, (A) mngenesi malzemeye hafifçe değecek şekilde vidalı kolu itin.

Daha sonra, kaldırma kolunu aşağı çevirerek, ve vidalı kolu döndürerek çalışılacak malzemeyi yerinde sabitleyin. Kesme işlemi tamamlandığında, **Şekil. 9'**da gösterildiği şekilde vidalı kolu iki veya üç kerere çevirerek mngeneyi gevşetin ve malzemeyi çıkarın.

DİKKAT

Makina kapandıktan sonra da disk dönmeye devam eder.

Herhangi bir kazaya sebep olmamak için, kesme diski dönerken kesinlikle malzemeyi çıkartmayın veya yerleştirmeyin.

Uzun parçalar, zeminle aynı seviyede olacak şekilde her iki taraftan da yanzmaz bloklarla desteklenmelidir.

2. Açılı Kesme (Şekil. 3 ve 4)

(1) Profil Kesme makinası 45° ve 60°'lik açılarda çalışmaya uygundur.

(2) (B) mngenesindeki iki adet M10 altıgen silindirik gömme başlı civatayı gevşetin ve mngenenin ağızındaki çalışma yüzeyini 0°, 30° veya 45°'lik açılara, **Şekil. 4'**te gösterildiği şekilde ayarlayın. Hazırlık bitince iki 10 mm'lik somunu sağlamca sıkılaştırın.

(3) Geniş bir malzeme açılı kesildiğinde, **Şekil. 5'**te gösterildiği gibi mngeneye (B) çelik bir levha yerleştirilerek sıkılaştırılabilir.

3. Sabit mngene ağızını hareket ettirme (Şekil. 6)

Mngene açıklığı, fabrika çıkışında maksimum 170 mm olacak şekilde ayarlanmıştır. 170 mm'den daha fazla bir açıklık gerektiğinde mngeneyi, şekilde gösterildiği gibi iki somunu gevşeterek zincir hizasına getirin. Maksimum açıklık 205 mm ve 240 mm olarak iki kademedede ayarlanabilir. Kesilecek malzeme daha geniş ise, mngene ağızının sabit tarafının yeri değiştirilerek kullanılabilir.

4. Metal Blok Kullanma (Şekil. 7)

Kesme diskinin dış çapı azaldığında, kesme diskiyi ekonomik olarak kullanmak için (A) ve (B) mngeneleri arasına kesilecek malzemenin boyutlarından biraz daha küçük bir metal blok yerleştirin.

BAKIM VE MUAYENE**DİKKAT**

Bakım ve muayene yapmadan önce makinanın kapalı ve fişinin çekili olduğundan emin olun.

1. Kesme Diskini Değiştirme

Kesme diski, sürekli kullanımdan körelendiğinde motordan gereksiz güç çeker. Sonuç olarak, taşlama verimliliğini korumak için körleşmiş kesme diskiyi tamir edin veya değiştirin.

2. Kömürlerin Kontrol Edilmesi (Şekil 10)

Motorda tükenebilir malzemeler olan kömürler kullanılır. Kömürler yıprandığında veya "yıpranma sınırına" yaklaştığında, bu motorda sorunlara neden olabilir. Otomatik durdurmalı kömür kullanıldığında motor otomatik olarak duracaktır.

Bu durumda, her iki kömürü de şekilde gösterilenle aynı kömür tanımlama numarasına sahip kömürlerle değiştirin. Ayrıca, kömürleri daima temiz tutun ve kömür tutucuların içinde serbestçe kayabildiklerinden emin olun.

3. Montaj vidalarının incelenmesi

Tüm montaj vidalarını düzenli olarak inceleyin ve sağlam şekilde sıkılı olduğundan emin olun. Gevşeyen vidaları derhal sıkın. Gevşemiş vidalar ciddi tehlikelere yol açabilir.

4. Yağlama

Makinayı uzun süre kullanmak için ayda bir aşağıda belirtilen yağlama noktalarını yağlayın (**Şekil.1'e** bakın). Yağlama Noktaları

- Şaftın döner kısmı
- Mngenenin döner kısmı
- Mngenenin kayma yolu (A)

5. Temizleme

Makinaya yapışmış talaş ve artıkları bir bez veya benzeri ile ara sıra temizleyin. Motor kısmını yağ veya suyla ıslatmamaya dikkat edin.

6. Makinadaki, korumalardaki veya kesici bıçaklardaki hatalar tespit edildiğinde derhal bildirilmelidir.

7. Servis parçaları listesi**DİKKAT**

Hitachi Güç Takımlarının onarımı, modifikasyonu ve gözden geçirilmesi Hitachi yetkili Servis Merkezi tarafından yapılmalıdır.

Hitachi yetkili Servis Merkezine tamir ya da bakım amacıyla başvurulduğunda Parça Listesinin takım ile birlikte verilmesi faydalı olacaktır.

Güç takımlarının çalıştırılması ve bakımlarının yapılması esnasında her ülke için belirtilen güvenlik düzenlemelerine ve standartlarına uyulması gerekmektedir.

DEĞİŞİKLİKLER

Hitachi Ağır İş Aletleri en son teknolojik ilerlemelere uygun olarak sürekli değiştirilmekte ve geliştirilmektedir. Dolayısıyla ısıyla, bazı kısımlarda önceden bildirimde bulunulmadan değişiklik yapılabilir.

NOT

HITACHI'nin süregelen araştırma ve geliştirme programına bağlı olarak burada belirtilen teknik özelliklerde önceden bildirimde bulunulmadan değişiklik yapılabilir.

Havadan yayılan gürültü ve titreşimle ilgili bilgiler

Ölçülen değerlerin EN61029'e uygun olduğu tespit edilmiştir.

Tipik A ağırlıklı ses basınç seviyesi: 97 dB (A)

Tipik A ağırlıklı ses gücü seviyesi: 109 dB (A)

Kulak koruyucusu kullanın.

Tipik ağırlıklı ortalama karekök ivme değeri: 1,2 m/s²

● 230 V~ nominal voltajlık güç kaynağı sistemi hakkında bilgi

Olumsuz ana şebeke koşullarında, bu alette *geçiş voltaj düşüşleri* veya voltaj dalgalanmaları olabilir.

Bu alet, kullanıcının kaynağının arabirim noktasında (güç servis kutusu) maksimum izin verilen sistem empedansı Z_{MAX} , 0,14 Ohm olan bir güç kaynağı sistemine bağlantı içindir.

Kullanıcının bu aletin sadece yukarıdaki gerekleri karşılayan bir güç kaynağı sistemine bağlandığından emin olması gerekir. Gerekirse, kullanıcı arabirim noktasındaki sistem empedansını elektrik şirketinden öğrenebilir.

● 230 V~ nominal voltajlık devre kesici devre ile ilgili bilgi

Bu alet, sadece gl ayırıcı özellikli 16 A'lık sigortaya bağlanıldığında kullanılmalıdır.

ОБЩИЕ ПРАВИЛА ПО ТЕХНИКЕ БЕЗОПАСНОСТИ

ПРЕДУПРЕЖДЕНИЕ! Перед использованием электроинструментов должны быть предприняты все необходимые меры предосторожности для того, чтобы уменьшить степень риска возгорания, удара электрическим током и снизить вероятность повреждения корпуса инструмента. Эти меры предосторожности включают в себя нижеперечисленные пункты.

Внимательно прочтите все указания, прежде чем Вы попытаетесь использовать инструмент, и сохраните их. Для безопасного использования:

1. Поддерживайте чистоту и порядок на рабочем месте. Любая помеха на рабочем месте или на рабочем столе может стать причиной травмы.
2. Принимайте во внимание окружающую рабочую среду. Не работайте с электроинструментом под дождем. Не используйте электроинструмент в помещениях с повышенной влажностью. Поддерживайте хорошее освещение на рабочем месте. Не работайте инструментом при наличии рядом легковоспламеняющихся жидкостей или газов.
3. Остерегайтесь удара электрическим током. Не касайтесь заземлённых поверхностей. Например, трубопроводов, радиаторов, кухонных плит, корпусов холодильников.
4. Во время работы с инструментом не разрешайте детям находиться поблизости. Не позволяйте посторонним дотрагиваться до инструмента или удлинителя. Посторонние лица не должны находиться на рабочей площадке.
5. Закончив работу, сдавайте инструмент на хранение. Место для хранения инструмента должно быть сухим, высоко расположенным или запирается на замок. Дети не должны иметь возможности самостоятельно добраться до инструмента.
6. Не вмешивайтесь в работу машины, прикладывая излишнюю силу. Работа выполняется лучше и безопасней, если инструмент эксплуатируется с штатной скоростью.
7. Правильно выбирайте инструмент для каждой конкретной работы. Не пытайтесь сделать маломощным инструментом работу, которая предназначена для высокомоощного инструмента. Не используйте инструмент в целях, для которых он не предназначен. Например, не пользуйтесь циркулярной пилой для обрезания веток деревьев или резы брёвен.
8. Обратите внимание на выбор рабочей одежды. Не надевайте просторную одежду или драгоценности, т.к. они могут быть захвачены движущимися частями инструмента. На время работы вне помещений рекомендуется надевать резиновые перчатки и ботинки с нескользкой подошвой. Уложите длинные волосы под головным убором.
9. Пользуйтесь защитными очками. Одевайте маску для лица или маску против пыли, если при резке материала выделяется пыль.
10. Используйте оборудование для отвода пыли и грязи. Убедитесь, что Вы используете правильные устройства для присоединения подобного оборудования.
11. Не допускайте порчи электрошнура. Никогда не переносите инструмент, держа его за шнур. Не дергайте за шнур с целью вынуть вилку из розетки. Оберегайте шнур от воздействия нагрева, смазочных материалов и предметов с острыми краями.
12. Перед началом работы закрепите обрабатываемую деталь в тисках. Это безопасней, чем держать заготовку в руке, а также освобождает обе руки для работы с инструментом.
13. Будьте начеку. Постоянно имейте хорошую точку опоры и не теряйте равновесия.
14. Внимательно относитесь к техническому обслуживанию инструмента и его ремонту. Для достижения лучших рабочих характеристик и обеспечения большей безопасности при работе осторожно обращайтесь с инструментом и содержите его в чистоте. При смазке и замене аксессуаров следуйте указаниям в соответствующих инструкциях. Периодически осматривайте электрошнур инструмента и в случае его повреждения отремонтируйте его в уполномоченном сервисном центре. Периодически осматривайте удлинители и в случае повреждения производите их замену. Рукоятки инструмента должны быть сухими и чистыми, не пачкайте их смазочными материалами.
15. Выньте вилку электрошнура из розетки, если инструмент не используется, перед началом техобслуживания, а также перед заменой аксессуаров (ножей, свёрл, фрез).
16. Выньте все регулировочные и гаечные ключи. Возьмите себе за правило, перед тем как включить инструмент, проверять все ли ключи вынуты из него.
17. Избегайте неожиданного запуска двигателя. Не переносите подключенный к электросети инструмент, держа палец на переключателе. Перед тем как вставить штепсель в розетку убедитесь, что переключатель находится в положении "Выкл."
18. Работая вне помещения, пользуйтесь удлинителями. В этом случае используйте только те удлинители, что предназначены для работы на улице. Они имеют соответствующую маркировку.
19. Будьте бдительны. Следите за тем, что вы делаете. Придерживайтесь здравого смысла. Если вы устали, не работайте с инструментом.
20. Проверяйте повреждённые детали. Прежде чем продолжить эксплуатацию инструмента, следует тщательно проверить защитный кожух или иные детали, которые имеют повреждения с целью установить, что они в рабочем состоянии и выполняют предназначенную им функцию. Проверьте юстировку и скрепление движущихся деталей, исправность деталей, правильность сборки и любые другие параметры что могут повлиять на их работу. Защитный кожух или другую деталь, которые повреждены, необходимо как следует отремонтировать или заменить в уполномоченном сервисном центре, если иное не указано в инструкции по эксплуатации. Неисправные переключатели замените в уполномоченном сервисном центре. Не работайте с инструментом с неисправным переключателем "Вкл.\ Выкл."
21. Внимание
С целью избежания травмы используйте только те аксессуары или устройства, что указаны в этих инструкциях по эксплуатации или в каталоге фирмы HITACHI.
22. Ремонт должен осуществляться только в уполномоченном сервисном центре с использованием только оригинальных запасных деталей HITACHI. В противном случае возможно нанесение серьезного вреда здоровью пользователя.

МЕРЫ ПРЕДОСТОРОЖНОСТИ ПРИ ЭКСПЛУАТАЦИИ ОТРЕЗНОЙ МАШИНЫ

1. Перед использованием проверьте отрезной диск, не используйте отрезные диски со сколами или другими повреждениями. Всегда выполняйте пробный запуск отрезной машины перед использованием, чтобы убедиться в отсутствии отклонений от нормальной работы.
2. Используйте стандартный отрезной диск на перпендикулярной ему рабочей поверхности.
3. Обеспечьте защиту от искр при отрезании.
4. Замените отрезной диск надлежащим образом.
5. Всегда внимательно следите за тем, чтобы не были ослаблены детали, фиксирующие отрезной диск. Неисправные детали приведут к повреждению отрезного диска.
6. Убедитесь в том, что на обрабатываемом изделии отсутствуют посторонние предметы, например, гвозди.
7. Используйте только рекомендованные изготовителем отрезные диски, на которых указана скорость, которая равна или превышает скорость, указанную на паспортной табличке машины.
8. Абразивные диски должны храниться в соответствии с требованиями изготовителя и с ними следует обращаться осторожно.
9. Убедитесь в том, что установленный диск выбран в соответствии с требованиями изготовителя.
10. Никогда не используйте машину без установленного защитного приспособления.
11. Не размахивайте полотном.
12. Не используйте машину в взрывоопасной обстановке и в условиях, когда искры могут стать причиной пожара, взрыва и т.п.

ТЕХНИЧЕСКИЕ ХАРАКТЕРИСТИКИ

Напряжение (по регионам)*		(110В, 115В, 120В, 127В) \sim	(230В, 240В) \sim
Потребляемая мощность		1640 W*	2000 W*
Максимальные размеры отрезания Высота x ширина	90°	115 мм x 130 мм	70 мм x 235 мм
	45°	100 мм x 106 мм	
Отрезной диск		ø355 x ø25,4 x 4 мм (Армированный волокнистым наполнителем отрезной диск)	
Число оборотов холостого хода		3800 мин ⁻¹	
Макс. рабочая окружная скорость		4800 м/мин	
Вес		17 кг	

*Проверьте паспортную табличку на изделии, так как она меняется в зависимости от региона.

СТАНДАРТНЫЕ АКСЕССУАРЫ

- (1) Отрезной диск
- (2) Гаечный ключ в виде шестигранного стержня.. 1

ОБЛАСТЬ ПРИМЕНЕНИЯ

Обрезка различных металлических изделий, например, труб, круглых стержней, стальных фасонных изделий и краев пиломатериалов.

ПОДГОТОВКА К ЭКСПЛУАТАЦИИ

- 1. Источник электропитания**
Проследите за тем, чтобы используемый источник электропитания соответствовал требованиям к источнику электропитания, указанным на типовой табличке изделия.
- 2. Переключатель "Вкл./ Выкл."**
Убедитесь в том, что переключатель находится в положении "Выкл.". Если вы вставляете штепсель в розетку, а переключатель находится в положении "Вкл.", инструмент немедленно заработает, что может стать причиной серьезной травмы.
- 3. Удлинитель**
Когда рабочая площадка удалена от источника электропитания, пользуйтесь удлинителем. Удлинитель должен иметь требуемую площадь поперечного сечения и обеспечивать работу инструмента заданной мощности. Разматывайте удлинитель только на реально необходимую для данного конкретного применения длину.
- 4. Установите машину на ровной гладкой поверхности и зафиксируйте в устойчивом состоянии.** Перед отправкой оборудование подвергается строгому заводскому контролю на предмет защиты от поражения электрическим током во время эксплуатации.
- 5. Так как подвижные части закрепляют натяжением цепи на время транспортировки, снимите цепь с цепного крюка путем нажатия на рукоятку переключателя.**
- 6. Убедитесь в том, что все отрезные диски находятся в идеальном состоянии и на них не видны царапины и трещины.**
- 7. Несмотря на то, что они были надежно зафиксированы на заводе перед отправкой, в целях безопасности повторно зафиксируйте зажимные гайки.**
- 8. Защитная крышка (крышка диска) предусмотрена для предотвращения возможных неприятностей, например, появления трещины на отрезном диске. Несмотря на то, что она была надежно зафиксирована на заводе перед отправкой, в целях безопасности повторно зафиксируйте крепежные винты.**

9. При замене отрезного диска обязательно убедитесь в том, что указанная расчетная окружная скорость отрезного диска, предназначенного для замены, равна или превышает 4800 м/мин.
10. Обязательно убедитесь в том, что к машине не прикреплен гаечный ключ в виде стержня, который применяется для затягивания или снятия отрезного диска.
11. Прочтите и убедитесь, что обрабатываемое изделие поддерживается надлежащим образом. Обязательно убедитесь в том, что заготовка надежно зажата тисками. В противном случае, ослабление фиксации заготовки может привести к несчастному случаю или к поломке отрезного диска во время работы.
12. Перед использованием обязательно убедитесь в том, что абразивный диск правильно установлен и зафиксирован, а также дайте машине поработать без нагрузки в течение 30с в безопасном положении, немедленно остановите машину, если появятся значительная вибрация или если будут обнаружены другие дефекты. В этом случае проверьте машину для выяснения причины неисправности.
13. Повращайте отрезной диск для проверки торцового отклонения. Сильное отклонение приведет к сдвигу отрезного диска.
14. Обязательно убедитесь в том, что при работе в условиях запыленности поддерживается чистота вентиляционных отверстий. В случае возникновения необходимости очистки от пыли, прежде всего, отсоедините машину от сетевой розетки.

ПРОЦЕДУРА ОТРЕЗАНИЯ

ОСТОРОЖНО

Снимать или устанавливать обрабатываемое изделие во время вращения отрезного диска опасно.

1. Функционирование выключателя

Выключатель включают нажатием рукой на пускатель, а выключают путем отпускания пускателя в исходное положение. Выключатель не будет функционировать до тех пор, пока стопор будет нажат.

2. Отрезание

- (1) Во время вращения отрезного диска мягко нажмите рукоятку вниз и приблизьте отрезной диск к заготовке для отрезания.
- (2) При соприкосновении отрезного диска с заготовкой для отрезания мягко нажмите рукоятку дальше вниз и начните выполнять отрезание.
- (3) Когда процесс отрезания (или выполнения намеченного щелевого отверстия) будет завершен, поднимите рукоятку и установите ее в исходное положение.
- (4) При завершении каждого этапа в процессе отрезания, устанавливайте выключатель в положение выключения OFF (ВЫКЛ) для остановки вращения, а затем продолжите выполнение следующего этапа отрезания.

ОСТОРОЖНО

Скорость отрезания не увеличится, если к рукоятке будет приложено большее усилие. Приложение слишком большого усилия к рукоятке

приведет к перегрузке двигателя и к уменьшению его мощности.

Обязательно установите выключатель в положение выключения OFF (ВЫКЛ) после завершения работы и отсоедините вилку от сетевой розетки.

УСТАНОВКА И СНЯТИЕ ОТРЕЗНОГО ДИСКА

1. Снятие отрезного диска (Рис. 2)

- (1) Нажмите стопор и ослабьте болт при помощи гаечного ключа в виде шестигранного стержня.

ОСТОРОЖНО

Когда вал крепления отрезного диска будет нельзя зафиксировать нажатием на стопор, поверните болт при помощи гаечного ключа в виде шестигранного стержня во время нажатия на стопор. Вал крепления отрезного диска будет зафиксирован, когда стопор будет опущен.

- (2) Снимите болт, шайбу (А), и шайбу диска, а затем отсоедините отрезной диск.

2. Установка отрезного диска

Тщательно удалите пыль с шайб диска и болта, затем установите диск, путем выполнения в обратной последовательности действий, описанных для процедуры снятия диска. Обязательно прикрепите вспомогательную крышку в конце процесса установки.

ОСТОРОЖНО

Убедитесь в том, что стопор, который был использован для установки и снятия отрезного диска, установлен в отведенном назад положении.

ЭКСПЛУАТАЦИЯ

1. Процедура закрепления заготовки для отрезания (Рис. 8 и 9)

Поместите обрабатываемое изделие между зажимным приспособлением (А) и зажимным приспособлением (В), поднимите муфту и переместите зажимное приспособление (А) при помощи рукоятки винта так, чтобы оно слегка соприкасалось с обрабатываемым изделием, как показано на Рис. 8.

Затем опустите муфту вниз и надежно закрепите обрабатываемое изделие в нужном положении путем поворота рукоятки винта. Когда процесс отрезания будет завершен, поверните рукоятку винта 2 или 3 раза для ослабления зажимного приспособления, и снимите обрабатываемое изделие, как показано на Рис. 9.

ОСТОРОЖНО

Диск будет продолжать вращаться после выключения машины.

Никогда не снимайте и не устанавливайте обрабатываемое изделие во время вращения отрезного диска для того, чтобы избежать получения травмы.

Длинные обрабатываемые изделия должны поддерживаться подставками из невоспламеняющегося материала с каждой из сторон таким образом, чтобы изделие было расположено на одном уровне с обрабатываемым участком.

2. Отрезание под углом (Рис. 3 и 4)

- (1) Машина позволяет выполнить отрезание под углом 45° или 60°.
- (2) Ослабьте два болта M10 с головками под шестигранный торцовый ключ на зажимном приспособлении (B), затем установите рабочую поверхность на захват зажимного приспособления под любым углом, равным 0°, 30° или 45°, как показано на Рис. 4. После завершения установки в нужное положение, надежно затяните два 10 мм болта.
- (3) При выполнении отрезания под углом широкой заготовки, она должна быть крепко прижата фиксирующей стальной плитой, как показано на Рис. 5 к зажимному приспособлению (B).

3. Перемещение стационарного захвата зажимного приспособления (Рис. 6)

Максимальное расстояние между зажимными приспособлениями, которое устанавливается при отправке с завода, равно 170 мм. В случае, когда необходимо, чтобы это расстояние превысило 170 мм, переместите зажимное приспособление в положение, показанное штрих-пунктирной линией, после того, как выкрутите два болта. Максимальное расстояние между зажимными приспособлениями может быть установлено в два этапа 205 мм и 240 мм. Если заготовка для отрезания будет слишком широкой, зажимное приспособление может быть эффективно использовано путем изменения положения стационарно установленной стороны захватов зажимных приспособлений.

4. Использование металлической подставки (Рис. 7)

При использовании отрезного диска с уменьшенным внешним диаметром, для экономного использования отрезного диска вставьте между зажимными приспособлениями (A) и (B) металлическую подставку, которая будет немного меньше, чем размер отрезаемой заготовки.

ТЕХНИЧЕСКОЕ ОБСЛУЖИВАНИЕ И ПРОВЕРКА

ОСТОРОЖНО

Обязательно выключите машину и отсоедините вилку от сетевой розетки перед началом проведения проверки и технического обслуживания.

1. Замена отрезного диска

Когда отрезной диск иступится при непрерывной эксплуатации, двигатель начнет работать с перегрузкой. Следовательно, для обеспечения эффективной эксплуатации восстановите или замените иступленный отрезной диск.

2. Обследование угольных щеток (Рис. 10)

В двигателе используются угольные щетки, которые постепенно изнашиваются.

Использование изношенных угольных щеток или щеток в состоянии близком к "пределу износа" может привести к неисправности двигателя. Если двигатель оснащен угольной щеткой автоматической остановки, он остановится автоматически. В это время замените обе угольные щетки новыми щетками, которые имеют те же номера угольных щеток, как и показанные на рисунке. Кроме того, всегда содержите угольные щетки в чистоте и обязательно следите за тем, чтобы они могли свободно скользить в щеткодержателях.

3. Проверка установленных винтов

Регулярно проверяйте все установленные на инструменте винты, следите за тем, чтобы они были как следует затянуты. Немедленно затяните винт, который окажется ослабленным. Невыполнение этого правила грозит серьезной опасностью.

4. Смазка

Для поддержания машины в рабочем состоянии в течение продолжительного времени доливайте масло в один раз в месяц в следующие места подвода масла (См. Рис. 1).

Места подвода масла

- Вращающаяся часть вала
- Вращающаяся часть зажимного приспособления
- Участок скольжения зажимного приспособления (A)

5. Очистка

Время от времени протирайте машину мягкой тканью или подобным материалом и удаляйте налипшую стружку и обрезки. Будьте осторожны, не допустите попадания масла или воды в отсек двигателя.

6. О неполадках в машине, включая защитные приспособления и режущие кромки, следует уведомлять, как только они будут обнаружены.

7. Порядок записей по техобслуживанию

ОСТОРОЖНО

Ремонт, модификацию и осмотр механизированного инструмента фирмы Hitachi следует проводить в авторизованном сервисном центре Hitachi.

Этот перечень запасных частей пригодится при представлении его вместе с инструментом в авторизованный сервисный центр Hitachi с запросом на ремонт или прочее обслуживание.

При работе и обслуживании механизированных инструментов нужно соблюдать правила и стандарты безопасности, действующие в каждой данной стране.

ЗАМЕЧАНИЕ

Фирма HITACHI непрерывно работает над усовершенствованием своих изделий, поэтому мы сохраняем за собой право на внесение изменений в технические характеристики, упомянутые в данной инструкции по эксплуатации, без предупреждения об этом.

ПРИМЕЧАНИЕ

На основании постоянных программ исследования и развития, HITACHI оставляют за собой право на изменение указанных здесь технических данных без предварительного уведомления.

Информация, касающаяся создаваемого шума и вибрации

Измеряемые величины были определены в соответствии с EN61029.

Типичный средневзвешенный уровень звукового давления: 97 дБ (А)

Типичный средневзвешенный уровень звуковой мощности: 109 дБ (А)

Надевайте наушники.

Типичное значение вибрации: 1,2 м/с²

● Информация о системе электроснабжения с номинальным напряжением 230 В~

При неблагоприятном состоянии сети электроснабжения данный электроинструмент может стать причиной кратковременных падений напряжения или мешающих колебаний напряжения.

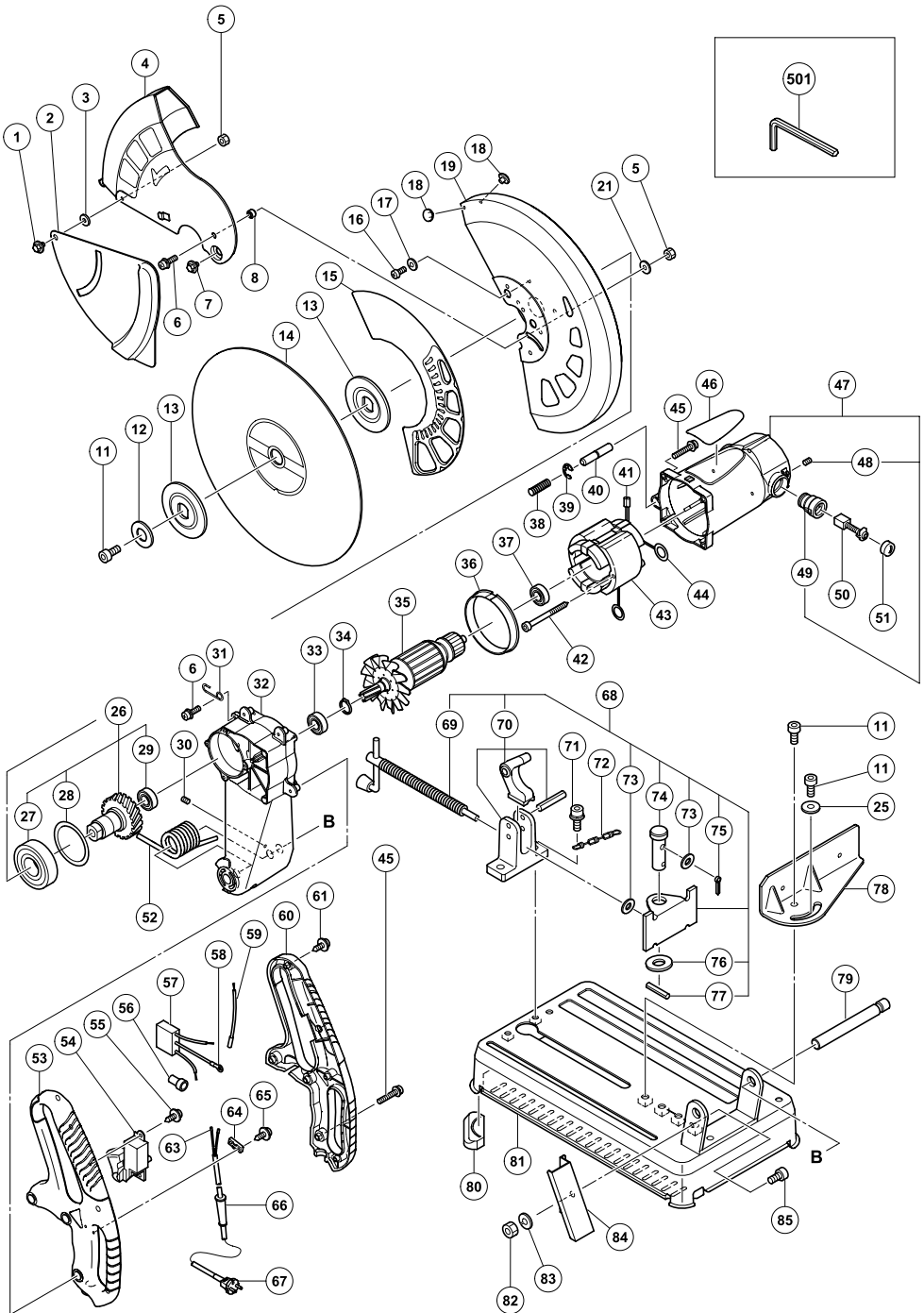
Данный электроинструмент предназначен для подсоединения к системе электроснабжения с максимальным допустимым полным сопротивлением системы $Z_{\text{МАХ}}$, равным 0,14 Ом в точке подключения (распределительная коробка сети электроснабжения) к сети электроснабжения пользователя.

Пользователь должен обязательно убедиться в том, что данный электроинструмент будет подсоединен только к системе электроснабжения, которая удовлетворяет изложенным выше требованиям.

В случае необходимости, пользователь может обратиться в компанию коммунального электроснабжения относительно полного сопротивления системы в точке подключения.

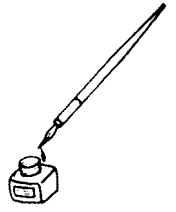
● Информация относительно выключателя прерывателя с номинальным напряжением 230 В~

Данный электроинструмент должен эксплуатироваться только в том случае, если он будет подсоединен к плавкому предохранителю 16 А, с характеристикой отсоединения класса gI.



ITEM NO.	PART NAME
1	FLANGE BOLT (B)
2	SUB COVER (B)
3	BOLT WASHER M8
4	SUB COVER (A)
5	NUT M5
6	MACHINE SCREW (W/WASHERS) M5 × 16
7	FLANGE BOLT (A)
8	COVER SPACER
11	HEX. SOCKET HD.BOLT M10 × 20
12	WASHER (A)
13	WHEEL WASHER (A)
14	CUT-OFF WHEEL ASS'Y
15	DESIGN COVER
16	MACHINE SCREW M5 × 12
17	SPRING WASHER M5
18	COVER BUSH
19	WHEEL COVER (A)
21	BOLT WASHER M5
25	BOLT WASHER M10
26	SPINDLE ASS'Y
27	BALL BEARING 6306ZZCM
28	BEARING PLATE
29	BALL BEARING
30	SEAL LOCK HEX. SOCKET SET SCREW M5 × 16
31	CHAIN HOOK
32	GEAR CASE
33	BALL BEARING 6002VVC
34	RETAINING RING FOR D15 SHAFT
35	ARMATURE
36	FAN GUIDE
37	BALL BEARING
38	GAUGE SPRING
39	RETAINING RING (E-TYPE) FOR D6 SHAFT
40	STOPPER PIN
41	TUBE(D)
42	HEX. HD. TAPPNG SCREW D5 × 75
43	STATOR ASS'Y
44	BRUSH TERMINAL
45	MACHINE SCREW (W/WASHERS) M5 × 35
46	NAME PLATE
47	HOUSING ASS'Y
48	HEX. E5SOCKET SET SCREW M5 × 8
49	BRUSH HOLDER
50	CARBON BRUSH
51	BRUSH CAP
52	SPRING
53	HANDLE
54	SWITCH
55	TAPPING SCREW (W/FLANGE)
56	CONNECTOR
57	NOISE SUPPRESSOR
58	TERMINAL
59	INTERNAL WIRE
60	HANDLE COVER

ITEM NO.	PART NAME
61	TAPPING SCREW (W/FLANGE) D4 × 16
63	TUBE(D)
64	CORD CLIP
65	TAPPING SCREW (W/FLANGE) D4 × 16
66	CORD ARMOR
67	CORD
68	WISE ASS'Y
69	SCREW
70	SCREW HOLDER
71	HEX. SOCKET HD. BOLT (W/WASHERS) M8 × 25
72	CHAIN
73	BOLT WASHER M8
74	BOLT
75	SPLIT PIN D3 × 15
76	WASHER M16
77	ROLL PIN D5 × 25
78	WISE (B)
79	HINGE SHAFT
80	BASE RUBBER
81	BASE
82	NUT M8
83	SPRING WASHER M8
84	SPARK CHUTE
85	HEX. SOCKET HD. BOLT M8 × 20
501	HEX. BAR WRENCH 8MM

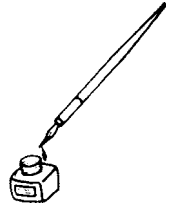


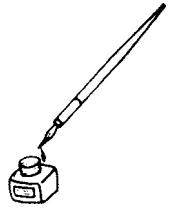
<p>English</p> <p><u>GUARANTEE CERTIFICATE</u></p> <ol style="list-style-type: none"> ① Model No. ② Serial No. ③ Date of Purchase ④ Customer Name and Address ⑤ Dealer Name and Address (Please stamp dealer name and address) 	<p>Magyar</p> <p><u>GARANCIA BIZONYLAT</u></p> <ol style="list-style-type: none"> ① Tipusszám ② Sorozatszám ③ A vásárlás dátuma ④ A Vásárló neve és címe ⑤ A Kereskedő neve és címe (Kérjük ide elhelyezni a Kereskedő nevének és címének pecsétjét)
<p>Deutsch</p> <p><u>GARANTIESCHEIN</u></p> <ol style="list-style-type: none"> ① Modell-Nr. ② Serien-Nr. ③ Kaufdatum ④ Name und Anschrift des Kunden ⑤ Name und Anschrift des Händlers (Bitte mit Namen und Anschrift des Handlers abstempeln) 	<p>Čeština</p> <p><u>ZÁRUČNÍ LIST</u></p> <ol style="list-style-type: none"> ① Model č. ② Série č. ③ Datum nákupu ④ Jméno a adresa zákazníka ⑤ Jméno a adresa prodejce (Prosíme o razítko se jménem a adresou prodejce)
<p>Ελληνικά</p> <p><u>ΠΙΣΤΟΠΟΙΗΤΙΚΟ ΕΓΓΥΗΣΗΣ</u></p> <ol style="list-style-type: none"> ① Αρ. Μοντέλου ② Αύξων Αρ. ③ Ημερομηνία αγοράς ④ Όνομα και διεύθυνση πελάτη ⑤ Όνομα και διεύθυνση μεταπωλητή (Παρακαλούμε να χρησιμοποιηθεί σφραγίδα) 	<p>Türkçe</p> <p><u>GARANTİ SERTİFİKASI</u></p> <ol style="list-style-type: none"> ① Model No. ② Seri No. ③ Satın Alma Tarihi ④ Müşteri Adı ve Adresi ⑤ Bayi Adı ve Adresi (Lütfen bayi adını ve adresini kaşe olarak basın)
<p>Polski</p> <p><u>GWARANCJA</u></p> <ol style="list-style-type: none"> ① Model ② Numer seryjny ③ Data zakupu ④ Nazwa klienta i adres ⑤ Nazwa dealera i adres (Pieczęć punktu sprzedaży) 	<p>Русский</p> <p><u>ГАРАНТИЙНЫЙ СЕРТИФИКАТ</u></p> <ol style="list-style-type: none"> ① Модель № ② Серийный № ③ Дата покупки ④ Название и адрес заказчика ⑤ Название и адрес дилера (Пожалуйста, внесите название и адрес дилера)

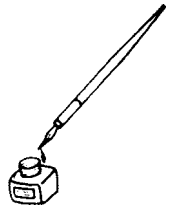
HITACHI

①	
②	
③	
④	
⑤	









<p>English</p> <p>EC DECLARATION OF CONFORMITY</p> <p>We declare under our sole responsibility that this product is in conformity with standards or standardized documents EN61029, EN55014 and EN61000-3 in accordance with Council Directives 73/23/EEC, 89/336/EEC and 98/37/EC.</p> <p>This declaration is applicable to the product affixed CE marking.</p>	<p>Magyar</p> <p>EU MEGFELELŐSÉGI NYILATKOZAT</p> <p>Teljes felelősségünk tudatában kijelentjük, hogy ez a termék megfelel az EN61029, EN55014, és EN 61000-3 szabványoknak illetve szabványosított dokumentumoknak, az Európa Tanács 73/23/EEC, 89/336/EEC, és 98/37/EC Tanácsi Direktíváival összhangban.</p> <p>Jelen nyilatkozat a terméken feltüntetett CE jelzésre vonatkozik.</p>
<p>Deutsch</p> <p>ERKLÄRUNG ZUR KONFORMITÄT MIT CE-REGELN</p> <p>Wir erklären mit alleiniger Verantwortung, daß dieses Produkt den Standards oder standardisierten Dokumenten EN61029, EN55014 und EN61000-3 in Übereinstimmung mit den Direktiven des Europarats 73/23/EWG, 89/336/EWG und 98/37/CE entspricht.</p> <p>Diese Erklärung gilt für Produkte, die die CE-Markierung tragen.</p>	<p>Čeština</p> <p>PROHLÁŠENÍ O SHODĚ S CE</p> <p>Prohlašujeme na svoji zodpovědnost, že tento výrobek odpovídá normám EN61029, EN55014 a EN61000-3 v souladu se směrnicemi 73/23/EEC, 89/336/EEC a 98/37/EC.</p> <p>Toto prohlášení platí pro výrobek označený značkou CE.</p>
<p>Ελληνικά</p> <p>ΕΚ ΔΗΛ-ΣΗ ΕΝΑΡΜΟΝΙΣΜΟΥ</p> <p>Δηλώνουμε με απόλυτη υπευθυνότητα ότι αυτό το προϊόν είναι εναρμονισμένο με τα πρότυπα ή τα έγγραφα προτύπων EN61029, EN55014 και EN61000-3 σε συμφωνία με τις Οδηγίες του Συμβουλίου 73/23/ΕΟΚ, 89/336/ΕΟΚ και 98/37/ΕΚ.</p> <p>Αυτή η δήλωση ισχύει στο προϊόν με το σημάδι CE.</p>	<p>Türkçe</p> <p>AB UYGUNLUK BEYANI</p> <p>Bu ürünün, 73/23/EEC, 89/336/EEC ve 98/37/EC sayılı Konsey Direktiflerine uygun olarak, EN61029, EN55014 ve EN61000-3 sayılı standartlara ve standartlaştırılmış belgelere uygun olduğunu, tamamen kendi sorumluluğumuz altında beyan ederiz.</p> <p>Bu beyan, üzerinde CE işareti bulunan ürünler için geçerlidir.</p>
<p>Polski</p> <p>DEKLARACJA ZGODNOŚCI Z EC</p> <p>Oznajmiamy z całkowitą odpowiedzialnością, że produkt ten pozostaje w zgodzie ze standardami lub standardową formą dokumentów EN61029, EN55014 i EN61000-3 w zgodzie z Zasadami Rady 73/23/EEC 89/336/ EEC i 98/37/EC.</p> <p>To oświadczenie odnosi się do załączonego produktu z oznaczeniami CE.</p>	<p>Русский</p> <p>ДЕКЛАРАЦИЯ СООТВЕТСТВИЯ ЕС</p> <p>Мы с полной ответственностью заявляем, что данное изделие соответствует стандартам или стандартизованным документам EN61029, EN55014 и EN61000-3 согласно Директивам Совета 73/23/EEC, 89/336/EEC и 98/37/EC.</p> <p>Данная декларация относится к изделиям, на которых имеется маркировка CE.</p>
<p>Representative office in Europe Hitachi Power Tools Europe GmbH Siemensring 34, 47877 Willich 1, F. R. Germany</p> <p>Head office in Japan Hitachi Koki Co., Ltd. Shinagawa Intercity Tower A, 15-1, Konan 2-chome, Minato-ku, Tokyo, Japan</p> <p style="text-align: center;">CE</p> <p style="text-align: right;">29. 7. 2005</p> <p style="text-align: right;"><i>K. Kato</i></p> <hr style="width: 20%; margin-left: auto; margin-right: 0;"/> <p style="text-align: right;">K. Kato Board Director</p>	

 **Hitachi Koki Co., Ltd.**